

Effective November 1, 2015



# 2015 SNOW & ICE CONTROL PRODUCTS Application Guide



*World's Fastest Snow Plow Attachment!*



Curtis Industries, LLC.  
111 Higgins Street • Worcester, MA 01606  
Telephone: (508) 853-2200 • Fax: (800) 876-9104  
[www.snoproplows.com](http://www.snoproplows.com)

SnoPro Snowplows are protected by the following U.S. patent Numbers: 5,815,955, 6,145,222, 6,151,808, 6,209,231.  
Other patents pending.

Availability and stock quotes are accurate at time of quote and may change hourly.  
Prices, products and specifications are subject to change without notice.  
Availability is subject to production, stocking and demand.

---

# TERMS AND CONDITIONS

<b>PRICES, TERMS, SPECIFICATIONS:</b>	Subject to change without notice. All prices are in U.S. Dollars. Product availability is subject to production, stocking, and demand. Contact your Curtis Representative for updates.
<b>TERMS:</b>	Postmark check within 10 days of invoice date or prepay for 2% cash discount. All other terms 30 days. Discount of 2% not applicable on Credit Card orders.
<b>DEALER DISCOUNT:</b>	Standard discount for Dealers is 20%. Call your Curtis Representative for additional discount opportunities and promotions.
<b>OPEN ACCOUNT STATUS:</b>	All Curtis dealers in good standing must maintain a current position (net 30 days). All accounts past due by 45 days from invoice date will receive a 1.5% per month finance charge and only be shipped C.O.D. or with prepayment. New accounts are welcome subject to our credit application which includes credit references and bank information.
<b>GOVERNMENT BIDS:</b>	In our effort to aggressively work with our dealers, an additional 5% discount is extended for government or municipal bids and 60 day terms. Payments that exceed 60 days are considered late and are subject to penalties. Proof of bid must be supplied to Curtis (Faxed copy of Government or Municipal Bid) at the time of order placement.
<b>FREIGHT:</b>	All items FOB Worcester, MA
<b>MINIMUM ORDER:</b>	\$25.00
<b>WARRANTY-REPAIR:</b>	Any warranty repair work must first receive Curtis authorization prior to performing work. Curtis reserves the right to replace defective parts at its own discretion and will not credit customers for replacement parts that have not received authorization prior to installation. Please have manufacturing code ready prior to calling. Sno-Pro snowplows are warranted for 2 years from date of installation for defective material or workmanship.
<b>RETURNED GOODS:</b>	Accepted only after returned material authorization number (RMA) is issued and must be returned within 30 days of purchase. Returned goods are subject to a 20% restocking charge, plus any necessary repair or repackaging. Freight must be PRE PAID by shipper.
<b>DEFECTIVE GOODS:</b>	We stand behind the quality of all Curtis products and will allow FULL CREDIT, including freight charges, for returned goods found to be defective in material or workmanship. An RMA number must be issued prior to any return.
<b>CLAIMS:</b>	Claims for damage or shortage in transit must be filed by customer against the carrier.
<b>DEALER RESPONSIBILITY:</b>	When ordering, have your dealer number, item part # and quantity ready. It is the sole responsibility of the dealer to specify the complete make and model # of the tractor or vehicle. Further-more, any extra equipment including loaders, backhoes, etc. must be specified by the dealer to our order department at the time of the order.
<b>DROP SHIPMENT CHARGE:</b>	A \$50.00 surcharge will be added to all non FEDEX/UPS orders that are dropshipped to alternative addresses. This surcharge helps cover extra processing cost and is not a profit situation for Curtis.
<b>CREDIT CARD:</b>	Orders may be paid using American Express, Visa, Mastercard or Discover. Please have your card #, expiration date and name that appears on the card ready for your Curtis representative.

Availability and stock quotes are accurate at time of quote and may change hourly.  
 Prices, products and specifications are subject to change without notice.  
 Availability is subject to production, stocking and demand.

# Snowplow & Spreader Systems



CURTIS PART #	DESCRIPTION	SHIPPING WEIGHT
---------------	-------------	-----------------

## PLOW PACKAGES – FULL MOLDBOARD TRIP

1SP7	7' Home-Pro 3000 Series Plow Package	430
1SP75HP	7 1/2' Home-Pro 3000 Series Plow Package	449
1SP751	7 1/2' Sno-Pro 3000 Series Phase II Plow Package	685
1SP751P	7 1/2' Sno-Pro 3000 Series Phase II Polymer Moldboard Plow Package	695
1SP81	8' Sno-Pro 3000 Series Phase II Plow Package	740
1SP81P	8' Sno-Pro 3000 Series Phase II Polymer Moldboard Plow Package	750
1SP91	9' Sno-Pro 3000 Series Phase II Plow Package	820

## SUB FRAME MOUNT KITS – FOR: SNO-PRO 3000, HOME-PRO

1FKP2	Vehicle harness plug bracket	FedEx
1FK1	GMC & Chevrolet K Series 4WD ('88-'98) Classic ('99-2000)	105
1FK2B	GMC & Chevrolet Silverado & Sierra 4WD 1500 ('99-2002)	100
1FK3B	GMC & Chevrolet Silverado & Sierra 4WD 2500, 3500 ('99-2002)	115
1FK4B	Ford F-150-F-250 LD 4WD ('97-2003) Heritage ('04)	70
1FK5D	Ford F-250-F350 Superduty 4WD ('99-2004)	120
1FK6C	Ford F-450-F550 Superduty 4WD ('99-2004)	135
1FK7	Ford F-250-F350 Superduty 4WD, F450 2WD Superduty ('92-'97)	135
1FK8	Ford F-220-F350 4WD ('81-'91)	135
1FK9	Ford F-150 4WD ('92-'96)	125
1FK10C	Dodge Ram 1500 4WD ('94-2001) 2500, 3500 4WD ('94-2002)	110
1FK11	Dodge W Series, Ram Charger 4WD ('72-'93)	125
1FK12	GMC & Chevrolet K Series 4WD ('73-'86) V Series 4WD ('87-'89) Crew Cab, Blazer, Jimmy & Suburban 4WD ('73-'91)	110
1FK13	Dodge Dakota & Durango 4WD w/Maximum Front GAWR (Requires Load Boosters/Air Shocks, '98-'99) Dodge	65
1FK14B	Dakota & Durango 4WD w/Maximum Front GAWR (Requires Load Boosters/Air Shocks, 2000-2004) Jeep	65
1FK15	Wrangler 4WD w/Maximum GAWR (Requires Load Boosters/Air Shocks, '97-2005)	65
1FK16	Jeep Cherokee 4WD w/Maximum GAWR (Requires Load Boosters/Air Shocks, '84-2001)	65
1FK17	Jeep Wrangler 4WD w/Maximum GAWR (Requires Load Boosters/Air Shocks, '87-'96)	65
1FK18B	GM HD3500 2WD w/Front Leaf Springs ('94-2002)	100
1FK19	Dodge Ram 1500 4WD (2002-2005)	100
1FK20	Dodge Ram 2500, 3500 4WD (2003-2005)	120
1FK21	Ford Ranger w/Maximum GAWR (Requires Load Boosters/Air Shocks, 1998-2011)	75
1FK22	Toyota Tacoma w/Maximum GAWR (Requires Load Boosters/Air Shocks, 1998-2004)	75
1FK23	GMC & Chevrolet Silverado & Sierra 4WD 1500 (2003-2006)	110
1FK24	GMC & Chevrolet Silverado & Sierra 4WD 2400, 3500 (2003-2006) ('07 Old Body Style Classic)	125
1FK26	Ford F-150 4WD (2004-'08)	110
1FK31	Jeep Liberty 4WD w/Maximum GAWR (Requires Load Boosters/Air Shocks, 2002-2006)	100
1FK32B	Ford Superduty 4WD F-250, F-350, F-450, F-550 w/Front Coil Springs (2005-2007 Old Style)	130
1FK33	Toyota Tacoma w/Maximum GAWR (Requires Load Boosters/Air Shocks, 2005-2014 Regular Cab Only) Dodge	85
1FK34	Durango 4WD w/Maximum Front GAWR (Requires Load Boosters/Air Shocks, 2005-'09)	75
1FK35	Dodge Dakota 4WD w/Maximum Front GAWR (2005-'07)	75
1FK36	Toyota Tundra 4WD (2005-2006)	100
1FK37	Dodge Ram 1500 4WD (2006-2008) (Vehicle requires new relay-type harness)	120
1FK38A	Dodge Ram 2500, 3500 4WD (2006-2014) (Vehicle requires new relay-type harness)	125
1FK39	Nissan Frontier 4WD (2005-2006)	75
1FK40	GMC & Chevrolet 1500 (2007-2013) 4x4 (Vehicle requires new relay-type harness)	105
1FK41	Jeep Wrangler 4x4 (2007-2012) Requires Load Boosters/Air Shocks (Vehicle requires new relay-type harness)	75
1FK42	Ford Superduty 4WD F-250, F-350 w/snow plow prep package (2008-2014)	130
1FK43	GMC & Chevrolet 2500, 3500 4WD (2007-2010 Old Style) (Vehicle requires new relay-type harness)	130
1FK44A	Toyota Tundra P/U Truck (2007-2014)	130
1FK45A	Ford 150 (2009-2010) w/Maximum Front GAWR (Requires Load Boosters/Air Shocks) (No Plow on 2011-2012) (Vehicle requires new relay-type harness) (2013 w/6.2 Motor check with Ford) Plow Prep Package. No adapter for 4-light or LED	80
1FK46	Dodge 1500 (2009-) w/Maximum Front GAWR (Requires Load Boosters/Air Shocks) Check Model	80
1FK47	(Vehicle requires new relay-type harness) (Check with Dodge for Models)	130
1FK48	GM Silverado/Sierra 2500/3500 New style (with snow plow prep only) (2011-2014) GM Colorado/Canyon (2008-2012) (w/Maximum GAWR)	65
1FK49	Chevrolet & GMC 2015, 2500/3500	130
1FK50	Chevrolet & GMC 2014-2015, 1500	105

Availability and stock quotes are accurate at time of quote and may change hourly.  
 Prices, products and specifications are subject to change without notice.  
 Availability is subject to production, stocking and demand.

# Snowplow & Spreader Systems



CURTIS PART #	DESCRIPTION	SHIPPING WEIGHT
------------------	-------------	--------------------

## PLOW CONTROLS - (REQUIRED FOR INSTALLATION)

1HHC	Hand Held Snowplow Control (Straight Blade)	5
1HHV	Hand Held Snowplow Control (V-Plow)	5
1TBP60A	Switch Panel Control Kit (Straight Blade)	5

## OPTIONAL BLADE ACCESSORIES

1SD1	Rubber Snow Deflector Kit (5 ft - 9 ft Plows)	20
1SD751	Steel Snow Deflector Kit 7 1/2'	30
1SD81	Steel Snow Deflector Kit 8'	35
1SD91	Steel Snow Deflector Kit 9'	40
9PRU1	Rubber Cutting Edge (1" x 6")	4lbs./ft.
9PPL1	UHMW Polymer Cutting Edge	2lbs./ft.
1WC1	Sno-Pro 3000 Weather Cover	20
1TBP61C	Emergency Parts Kit (Sno-Pro 3000/Home-Pro/Trip Edge)	30
1TBP123	Hi-Performance Snowplow Oil (12 Quarts/case)	26
1TBP123B	Hi-Performance Snowplow Oil - 5 Gallon	45
1SPW1	Sno-Pro Plow Wings (Set of 2)	40

## PICKUP TRUCK SPREADERS

### V-BOX SPREADERS

1CS6H	Fast Cast 550 1/3 Yard Spreader Aluminum hopper/Stainless Steel Frame (Honda Engine)	275
1CS6E	Fast Cast 550 1/3 Yard Spreader Aluminum hopper/Stainless Steel Frame (Electric)	275
1WC2	Weather Cover Option - Fast Cast 550	5
1CS6-SCR	Top Screen Option - Fast Cast 550      Truck Bed	75

\*NOTE: Due to extremely fluctuating stainless and steel costs, all spreader pricing is subject to current inventory and availability. Please contact the factory before submitting a quote.

### TAILGATE SPREADERS

1CS1	Fast Cast 2000 Tailgate Spreader (Requires Mount Kit)	85
1SM2	Reese Hitch Mount (Required for all 1CS1 Installations)	15
1SM3	3-Point Hitch Mount (Requires 1SM2 Reese Hitch Mount)	30
1GC1	Gate Flow Control Kit for 1CS1 & 1CS3 (use for Seed & Fertilizer)	10
1SV1	Vibrator Kit (Improves Flow of Moist Material)	10
1AD1	Adjustable Deflector Kit (Controls Spread Pattern)	10
1CS10	Fast Cast 400 Fine Material Tailgate Spreader (Grey) (Reese Mount Included)	85
1CS9	Fast Cast 300 Rock Salt Tailgate Spreader (Orange) (Reese Mount Included)	85
1SC3	Variable Speed control for Fast Cast 400 & 300	5
1WC3	Weather Cover for Fast Cast 400 & 300	5
1SM4	Drop Utility Mount for Fast Cast 400 & 300 (personal utility vehicles only)	20

- \* For information on service parts, cutting edges, etc., refer to Snow & Ice Control Products Application & Pricing Guide.
- \* Manufacturer's snowplow preparation package required prior to installation of all Curtis Sno-Pro 2000 & 3000 & Trip Edge snowplows.
- \* Dodge Dakota, Durango, Nissan, Toyota & Jeep Vehicles and Ford Rangers must be equipped w/maximum front GVWR prior to mounting a snowplow.
- \* Design & Price may change without notice or liability.
- \* Load Booster/Air Shocks may be required on some applications.
- \* All blade plow packages require a sub frame mount kit, headlight adapter, and Plow Control (all sold separately)
- \* All truck models require a Headlight Adapter Kit
- \* Plow package weights shown above do not include sub frame mount kit weight
- \* Plow orders of 3 units or less subject \$30.00 net pallet charge.

Availability and stock quotes are accurate at time of quote and may change hourly.  
 Prices, products and specifications are subject to change without notice.  
 Availability is subject to production, stocking and demand.

# Sno-Pro Vehicle Application Guide

VEHICLE MAKE	MODEL YEAR	VEHICLE DESCRIPTION	MOUNT KIT	SUGGESTED PLOW SIZE	CURTIS PART NUMBER
<b>CHEVROLET &amp; GMC LIGHT 4WD TRUCKS &amp; SUVs WITH SNOW PLOW PREPARATION PACKAGE</b>					
Chevrolet GMC	1973-1986 (K) 1987-1989 (V)	K/V Series 10 Thru 1500	1FK12	7.5' Std.	1SP751
Chevrolet GMC	1973-1986 (K) 1987-1989 (V)	K/V Series 20 Thru 2500 (GAWR Under 8,600 Lbs.)	1FK12	7.5' Std.	1SP751
Chevrolet GMC	1973-1986 (K) 1987-1989 (V)	K/V Series 20 Thru 2500 (GAWR Over 8,600 Lbs.)	1FK12	7.5' Std. 8'	1SP751
Chevrolet GMC	1973-1986 (K) 1987-1989 (V)	K/V Series 30 Thru 3500 with Single Rear Wheels	1FK12	8, 9'	1SP81
Chevrolet GMC	1973-1986 (K) 1987-1989 (V)	K/V Series 30 Thru 3500 with Dual Rear Wheels	1FK12	8'	1SP81 1SP91
Chevrolet GMC	1973-1991	K/V Series Blazer/Jimmy	1FK12	7.5' Std.	1SP751
Chevrolet GMC	1973-1991	K/V Series Crew Cab/Suburban 4WD	1FK12	7.5' Std.	1SP751
Chevrolet GMC	1988-1998	K-1500 4WD	1FK1	7.5' Std.	1SP751
Chevrolet GMC	1988-1998	K-2500 4WD (GAWR Under 8,600 Lbs.)	1FK1	7.5' Std.	1SP751
Chevrolet GMC	1988-1998	K-2500 4WD (GAWR Over 8,600 Lbs.)	1FK1	7.5' Std. 8'	1SP751 1SP751
Chevrolet GMC	1988-1998	K-3500 4WD with Single Rear Wheels	1FK1	8'	1SP81
Chevrolet GMC	1988-1998	K-3500 4WD with Dual Rear Wheels	1FK1	8', 9'	1SP81 1SP91
Chevrolet GMC	1999-2001	K-1500 Classic 4WD	1FK1	7.5' Std.	1SP751
Chevrolet GMC	1999-2001	K-2500 Classic 4WD (GAWR Under 8,600 Lbs.)	1FK1	7.5' Std.	1SP751
Chevrolet GMC	1999-2001	K-2500 Classic 4WD (GAWR Over 8,600 Lbs.)	1FK1	7.5' Std. 8'	1SP751, 1TE75
Chevrolet GMC	<del>1999-2001</del>	K-3500 Classic 4WD with Single Rear Wheels	1FK1	8'	1SP81
Chevrolet GMC	2001-2002	C-3500 Sierra & Silverado 2WD with Torsion Bar Front Suspension	1FK3B	8', 9'	1SP81 1SP91
Chevrolet GMC	2001-2002	C-3500 Sierra & Silverado	1FK3B	8', 9'	1SP81 1SP91
Chevrolet GMC	1999-2001	K-3500 Classic 4WD with Dual Rear Wheels	1FK1	8', 9'	1SP81 1SP91
Chevrolet GMC	1999-2002	1500 Sierra & Silverado	1FK2B	7.5' Std.	1SP751
Chevrolet GMC	1999-2002	2500 Sierra & Silverado (GAWR Up To 8,600 Lbs.)	1FK3B	7.5' Std. 8'	1SP751 1SP81
Chevrolet GMC	1994-2002	HD3500 2WD Front Leaf Springs Only	1FK18B	8', 9'	1SP91, 1SP81
Chevrolet GMC	2003-2007	1500 Sierra & Silverado 4WD	1FK23	7.5' Std.	1SP751
Chevrolet GMC	2003-2007	2500, 3500 Sierra & Silverado 4WD Including HD (Relay Harness)	1FK24	8'	1SP81
Chevrolet GMC	2007-2013	New Style 4WD 1500 Sierra & Silverado (Relay Harness)	1FK40	7.5' Std.	1SP751
Chevrolet GMC	2007-2010	New Style 4WD HD 2500, 3500 Sierra & Silverado	1FK43	8', 9'	1SP81, SP91
Chevrolet GMC	2011-2014	New Style 4WD HD 2500, 3500	1FK47	8', 9'	1SP81, 1SP91
Chevrolet GMC	2008-2012	Colorado Canyon	1FK48	7'	1SP7
Chevrolet GMC	2015	2500/3500	1FK49	8', 9'	1SP751, 1SP81, 1SP91, 1SP81P 1SP81, 1SP91
Chevrolet GMC	2014-2015	1500	1FK50	7.5 HP 7.5	1SP75HP, 1SP751

Manufacturer's snowplow preparation package required prior to installation of all Sno-Pro snowplows

- |  |                                 |                          |                               |  |
|--|---------------------------------|--------------------------|-------------------------------|--|
| 1: 1SD1 Rubber Snow Deflector Kit        | 3: 1SD8 8' Steel Snow Deflector | OPTIONAL ACCESSORIES KEY | 5: 9PRU1 Rubber Cutting Edge  | 7: 1TBP61C Emergency Parts Kit (Straight Blade Only) |
| 2: 1SD75 7 1/2' Steel Snow Deflector Kit | 4: 1SD9 9' Steel Snow Deflector |                          | 6: 1WC1 SNO-PRO Weather Cover | 8: 1TBP123 Hi-Performance Snowplow Oil               |
|  |                                 |                          |                               | 9: Wing Angle Limiter Kit (V-Plow Only)              |

NOTE: V-Plows come standard with custom V-Plow Control



Availability and stock quotes are accurate at time of quote and may change hourly.  
 Prices, products and specifications are subject to change without notice.  
 Availability is subject to production, stocking and demand.

# Sno-Pro Vehicle Application Guide

VEHICLE MAKE	MODEL YEAR	VEHICLE DESCRIPTION	MOUNT KIT	SUGGESTED PLOW SIZE	CURTIS PART NUMBER
<b>FORD LIGHT 4WD TRUCKS WITH SNOW PLOW PREPARATION PACKAGE</b>					
Ford	1981-1991	F-250 (GAWR Under 8,600 Lbs.)	1FK8	7.5' Std.	1SP751
Ford	1981-1991	F-250 (GAWR Over 8,600 Lbs.)	1FK8	7.5' Std. 8'	1SP751 1SP81
Ford	1981-1991	F-350 with Single Rear Wheels	1FK8	8'	1SP81
Ford	1981-1991	F-350 with Dual Rear Wheels	1FK8	8', 9'	1SP91, 1SP81
Ford	1992-1997	F-250 (GAWR Under 8,600 Lbs.)	1FK7	7.5' Std.	1SP751
Ford	1992-1997	F-250 (GAWR Over 8,600 Lbs.)	1FK7	7.5' Std. 8'	1SP751 1SP81
Ford	1992-1997	F-350 with Single Rear Wheels	1FK7	8'	1SP81
Ford	1992-1997	F-350 with Dual Rear Wheels	1FK7	8', 9'	1SP91, 1SP81
Ford	1992-1997	F-450 2WD Superduty	1FK7	8', 9'	1SP91, 1SP81
Ford	1991-1996	F-150 4WD	1FK9	7.5'	1SP751
Ford	1997-2003	F-150 4WD	1FK4B	7', 7.5'	1SP7, 1SP75HP, 1SP751
Ford	1997-2003	F-150 Heavy Duty F-250 Light Duty	1FK4B	7.5'	1SP751
Ford	1999-2004	F-250 Superduty 4WD (GAWR Under 8,600 Lbs.)	1FK5D	7.5' Std.	1SP751
Ford	1999-2004	F-250 Superduty 4WD (GAWR Over 8,600 Lbs.)	1FK5D	7.5' Std. 8'	1SP751 1SP81
Ford	1999-2004	F-350 Superduty 4WD with Single Rear Wheels	1FK5D	8'	1SP81
Ford	1999-2004	F-350 Superduty 4WD with Dual Rear Wheels	1FK5D	8', 9'	1SP91, 1SP81
Ford	1999-2004	F-450 Superduty 4WD F-550 Superduty 4WD	1FK6C	8'	1SP81
Ford	1998-2011	Ranger	1FK21	7' Home-Pro	1SP7
Ford	2004-2008	F-150 4WD	1FK26	7', 7.5'	1SP7, 1SP75HP, 1SP751
Ford	2005-2007	F-250 Superduty 4WD	1FK32B	7.5' Std. 8'	1SP751 1SP81
Ford	2005-2007	F-350 Superduty 4WD	1FK32B	8'	1SP81
Ford	2005-2007	F-450 Superduty 4WD F-550 Superduty 4WD	1FK32B	8'	1SP81
Ford	2008-2015	F-250 Superduty 4WD Note: No adapter for 4-light or LED	1FK42	7.5' Std. 8'	1SP751 1SP81
Ford	2009-2010	F-150 (Relay Harness) (See Bulletin Page)	1FK45	7', 7.5'	1SP7, 1SP75HP, 1SP751
Ford	2008-2015	F-350 Superduty 4WD F-450 Note: No adapter for 4-light or LED	1FK42	8'	1SP81
Ford	2014-2015	F150 Order with Ford Plow Prep Package Note: No adapter for 4-light or LED	1FK45A	Home-Pro	1SP75HP, 1SP7

Manufacturer's snowplow preparation package required prior to installation of all Sno-Pro snowplows

- |  |                                 |                               |  |
|--|---------------------------------|-------------------------------|--|
| 1: 1SD1 Rubber Snow Deflector Kit        | 3: 1SD8 8' Steel Snow Deflector | 5: 9PRU1 Rubber Cutting Edge  | 7: 1TBP61C Emergency Parts Kit (Straight Blade Only) |
| 2: 1SD75 7 1/2' Steel Snow Deflector Kit | 4: 1SD9 9' Steel Snow Deflector | 6: 1WC1 SNO-PRO Weather Cover | 8: 1TBP123 Hi-Performance Snowplow Oil               |
|  |                                 |                               | 9: Wing Angle Limiter Kit (V-Plow Only)              |

NOTE: V-Plows come standard with custom V-Plow Control

Availability and stock quotes are accurate at time of quote and may change hourly.  
 Prices, products and specifications are subject to change without notice.  
 Availability is subject to production, stocking and demand.

# Sno-Pro Vehicle Application Guide

VEHICLE MAKE	MODEL YEAR	VEHICLE DESCRIPTION	MOUNT KIT	SUGGESTED PLOW SIZE	CURTIS PART NUMBER
<b>DODGE LIGHT 4WD TRUCKS WITH SNOW PLOW PREPARATION PACKAGE</b>					
Dodge	1972-1993	W-150 W-1500	1FK11	7.5' Std.	1SP751
Dodge	1972-1993	W-250 & W-2500 (GAWR Under 8,600 Lbs.)	1FK11	7.5' Std.	1SP751
Dodge	1972-1993	W-250 & W-2500 ( GAAWR Over 8,600 Lbs.)	1FK11	7.5' Std. 8'	1SP751 1SP81
Dodge	1972-1993	W-350 & W-3500 with Single Rear Wheels	1FK11	8'	1SP81
Dodge	1972-1993	W-350 & W-3500 with Dual Rear Wheels	1FK11	8', 9'	1SP91 1SP81
Dodge	1972-1993	Ram Charger SUV	1FK11	7.5' Std.	1SP751
Dodge	1994-2001	Ram 1500	1FK10C	7.5' Std.	1SP751
Dodge	1994-2002	Ram 2500 (GAWR Under 8,600 Lbs.)	1FK10C	7.5' Std.	1SP751
Dodge	1994-2002	Ram 2500 4WD (GAWR Over 8,600 Lbs.)	1FK10C	7.5' Std. 8'	1SP751 1SP81
Dodge	1994-2002	Ram 3500 4WD with Single Rear Wheels	1FK10C	8'	1SP81
Dodge	1994-2002	Ram 3500 4WD with Dual Rear Wheels	1FK10C	8', 9'	1SP91 1SP81
Dodge	2002-2005	Ram 1500 4WD	1FK19	7.5' Std. 7.5 Home-Pro	1SP751 1SP75HP
Dodge	2003-2005	Ram 2500 4WD	1FK20	7.5' Std. 8'	1SP751 1SP81
Dodge	2003-2005	Ram 3500 4WD	1FK20	8'	1SP81
Dodge	2006-2008	Ram 1500 4WD (Relay Harness)	1FK37	7.5' Std. 7.5' Home-Pro	1SP751 1SP75HP
Dodge (Except 2014-2015 Diesel Models)	2006-2015	Ram 2500 4WD (Relay Harness)	1FK38A	7.5' Std. 8'	1SP751 1SP81
Dodge (Except 2014-2015 Diesel Models)	2006-2015	Ram 3500 4WD (Relay Harness)	1FK38A	8' 9'	1SP81
Dodge	1998-1999	Dakota & Durango with Maximum Front GAWR*	1FK13	7' Home-Pro	1SP7
Dodge	2000-2004	Dakota & Durango with Maximum Front GAWR*	1FK14B	7' Home-Pro	1SP7
Dodge	2005-2009	Durango with Maximum Front GAWR*	1FK34	7' Home-Pro	1SP7
Dodge	2005-2007	Dakota with Maximum Frot GAWR*	1FK35	7' Home-Pro	1SP7
Dodge	2009-2013	Ram 1500 (Relay Harness) Note: No plow for 2014/2015 with new lighting	1FK46	7', 7.5' Home-Pro	1SP7 1SP75HP
<b>JEEP 4WD VEHICLES</b>					
NOTE: Jeep Vehicle Plow Packages are intended for Personal, Non-Commercial, Light Duty Use Only.					
Jeep	1997-2005	Wrangler 4WD with Maximum Front GAWR	1FK15	7' Home-Pro	1SP7
Jeep	1984-2001	Cherokee 4WD with Maximum Front GAWR	1FK16	7' Home-Pro	1SP7
Jeep	1987-1995	Wrangler 4WD with Maximum Front GAWR	1FK17	7' Home-Pro	1SP7
Jeep	2002-2006	Liberty 4WD with Maximum Front GAWR	1FK31	7' Home-Pro	1SP7
Jeep	2007-2012	Wrangler 4WD with Maximum Front GAWR	1FK41	7' Home-Pro	1SP7

Availability and stock quotes are accurate at time of quote and may change hourly.  
 Prices, products and specifications are subject to change without notice.  
 Availability is subject to production, stocking and demand.

# Sno-Pro Vehicle Application Guide

VEHICLE MAKE	MODEL YEAR	VEHICLE DESCRIPTION	MOUNT KIT	SUGGESTED PLOW SIZE	CURTIS PART NUMBER
--------------	------------	---------------------	-----------	---------------------	--------------------

## NISSAN 4WD VEHICLES

NOTE: Nissan Vehicle Plow Packages are intended for Personal, Non-Commercial, Light Duty Use Only.

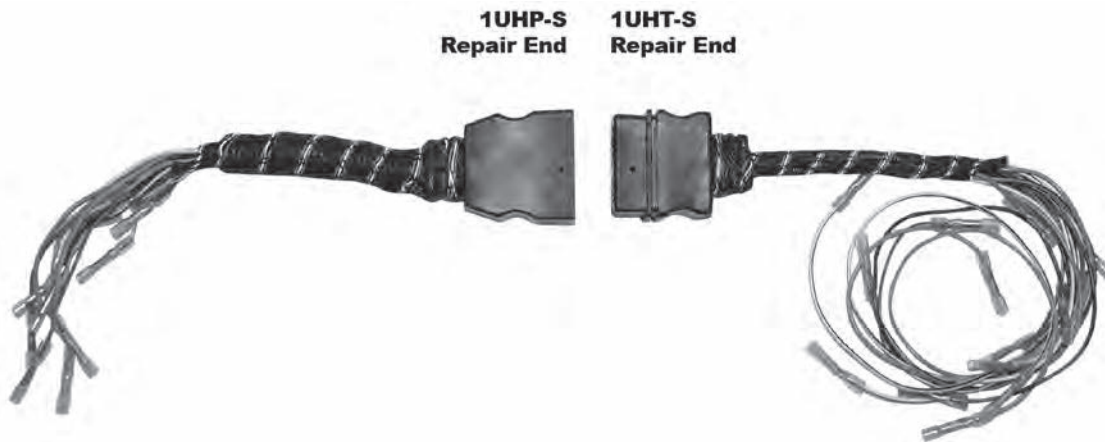
Nissan	2005-2006	Nissan Frontier 4WD	1FK39	7' Home-Pro	1SP7
--------	-----------	---------------------	-------	----------------	------

## TOYOTA 4WD VEHICLES

NOTE: Toyota Vehicle Plow Packages are intended for Personal, Non-Commercial, Light Duty Use Only.

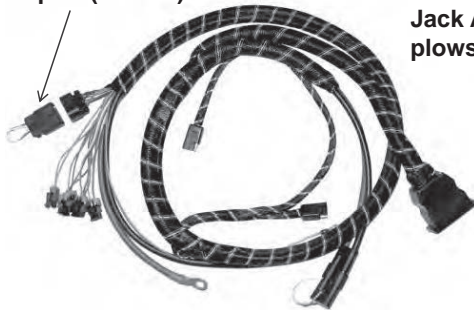
Toyota	1998-2004	Toyota Tacoma P/U Truck	1FK22	7' Home-Pro	1SP7
Toyota	2005-2010	Toyota Tacoma P/U Truck	1FK33	7' Home-Pro	1SP7
Toyota	2005-2006	Toyota Tundra P/U Truck	1FK36	7', 7.5' Home-Pro	1SP7 1SP75HP
Toyota	2007-2014	Toyota Tundra P/U Truck	1FK44A	7', 7.5' Home-Pro	1SP7 1SP75HP
Will not fit Platinum /1794 model		No headlight adapter for LED Lighting			

## New Repair Ends For Double Plug Harness

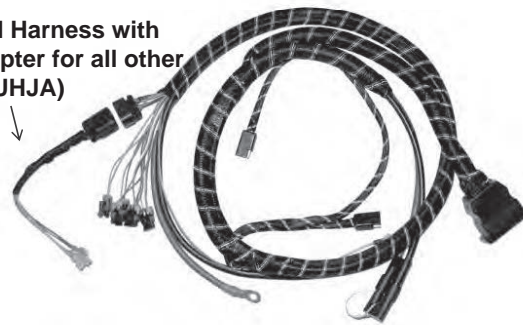


## Universal Harnesses

Universal Harness with V-Plow Adapter (1UHVA)



Universal Harness with Jack Adapter for all other plows (1UHJA)



The 1UHP requires a 1UHVA adapter for use with the Sno-Pro V-Plows. All other plows require the 1UHJA adapter.

Manufacturer's snowplow preparation package required prior to installation of all Sno-Pro snowplows

- |  |                                 |                               |  |
|--|---------------------------------|-------------------------------|--|
| 1: 1SD1 Rubber Snow Deflector Kit        | 3: 1SD8 8' Steel Snow Deflector | OPTIONAL ACCESSORIES KEY      | 7: 1TBP61C Emergency Parts Kit (Straight Blade Only) |
| 2: 1SD75 7 1/2' Steel Snow Deflector Kit | 4: 1SD9 9' Steel Snow Deflector | 5: 9PRU1 Rubber Cutting Edge  | 8: 1TBP123 Hi-Performance Snowplow Oil               |
|  |                                 | 6: 1WC1 SNO-PRO Weather Cover | 9: Wing Angle Limiter Kit (V-Plow Only)              |

NOTE: V-Plows come standard with custom V-Plow Control



Availability and stock quotes are accurate at time of quote and may change hourly.  
 Prices, products and specifications are subject to change without notice.  
 Availability is subject to production, stocking and demand.

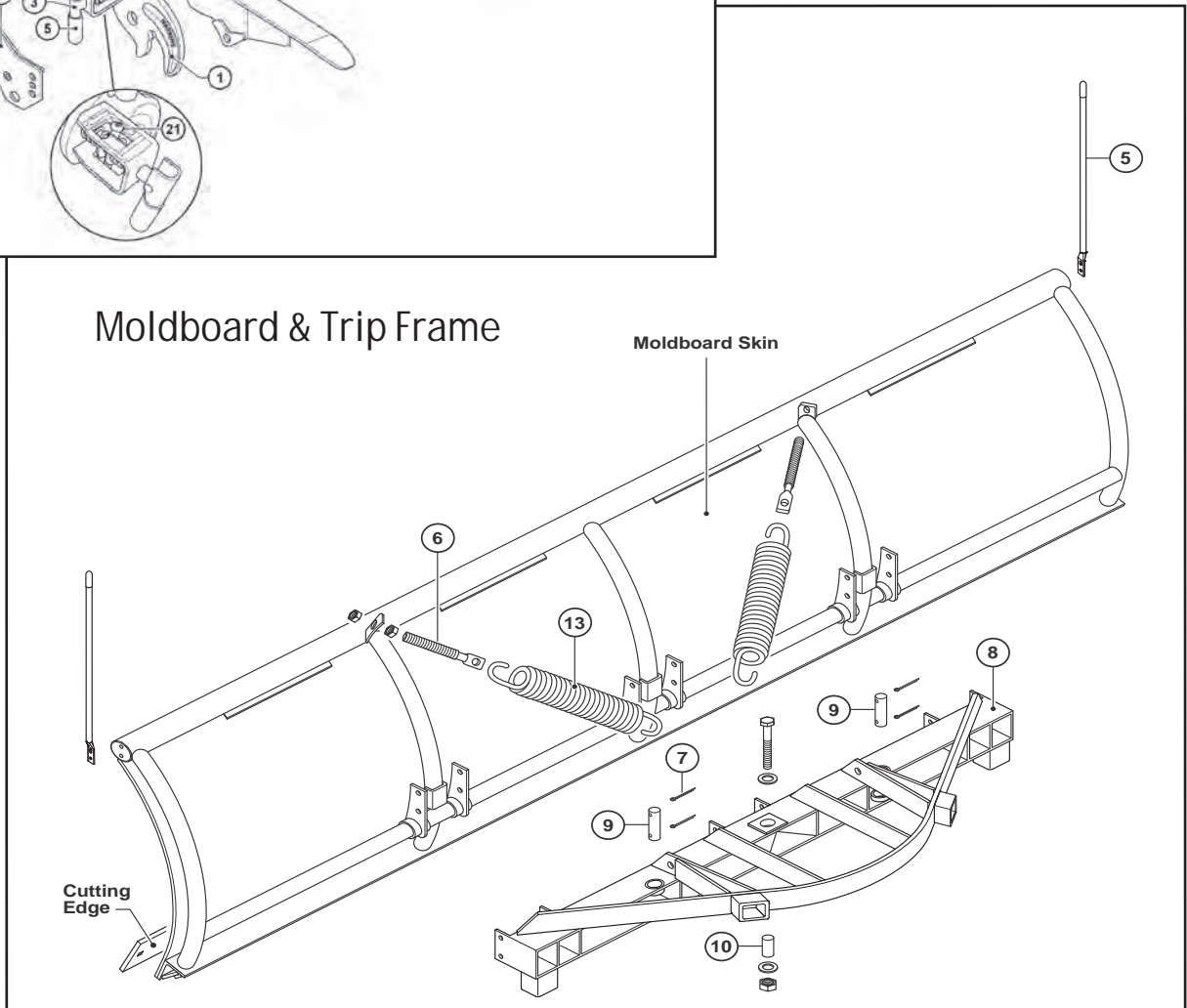
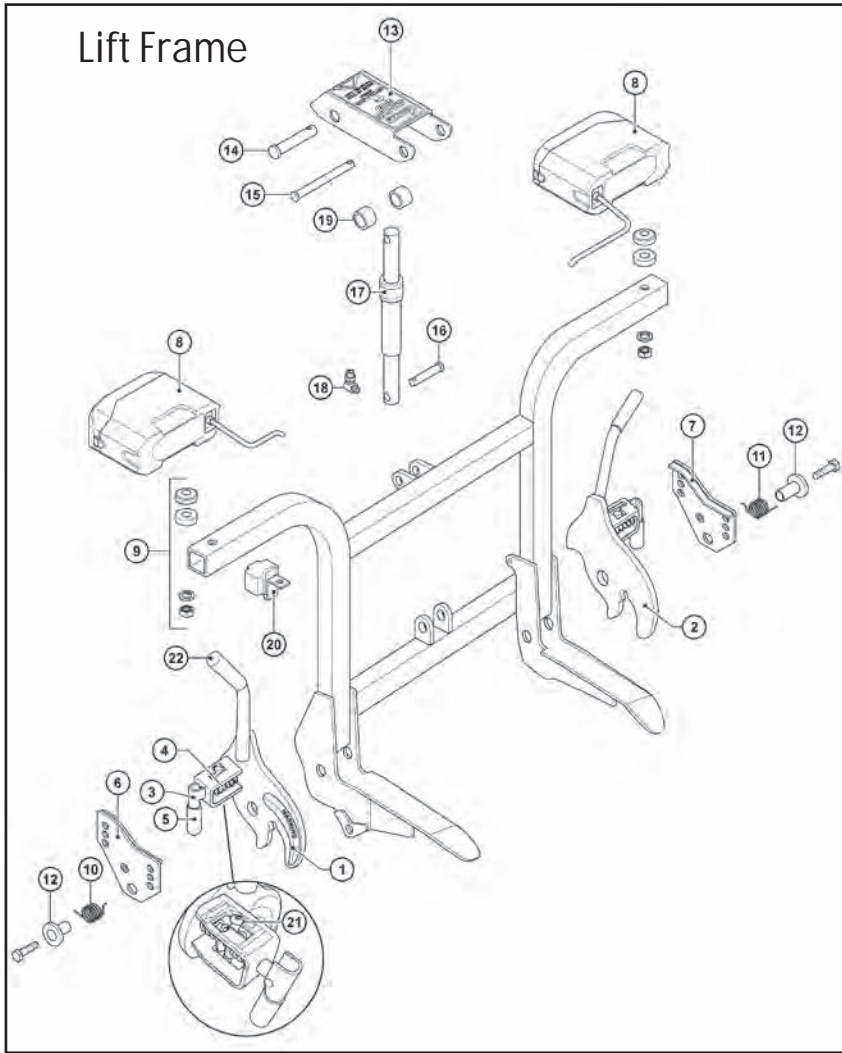
# Sno-Pro Headlight Adapter Application Guide

VEHICLE MAKE	HEADLIGHT DESCRIPTION	HEADLIGHT SIZE	HEADLIGHT BULB NUMBER	HEADLIGHT ADAPTOR
<b>CHEVROLET &amp; GMC LIGHT TRUCKS</b>				Will not work with LEDs
Chevrolet GMC	One Bulb Per Side - Round or Rectangular	7" Diameter or 5.5" x 7.88"	6014, H6014, H6024, 6052	1HL0
Chevrolet GMC	Two Bulbs Per Side Rectangular Headlight	4" x 6.5"	4651, H4651, 4652, H4656	1HL1
Chevrolet GMC	Two Bulbs Per Side - Low Profile Rectangular Halogen	3.64" x 5.93"	H4701, H4703	1HL3
Chevrolet GMC	Two Bulbs Per Side - Rectangular Composite Halogen	Various Sizes	H9005, H9006	1HL4
Chevrolet GMC	One Bulb Per Side Rectangular Halogen	4" x 6.5"	HP6545, HP6545, H4666	1HL5
Chevrolet GMC	Thru 2002 - Two Bulbs Per Side - Composite Halogen with separate Daytime Running Lights	Various Sizes	H9005, H9006	1HL8
Chevrolet GMC	2003 - Quad Composit Halogen with separate Daytime Running Lights	Various Sizes	H9005, H9006	1HL4
Chevrolet GMC	2007 - Quad Composit Halogen with separate Daytime Running Lights	Various Sizes	H9005, H9006	1HL11*
GMC	HID Lighting with truck side harness			1HL17
<b>FORD LIGHT TRUCKS</b>				Will not work with LEDs
Ford	One Bulb Per Side - Round or Rectangular	7" Diameter or 5.5" x 7.88"	6014, H6014, H6024, 6052	1HL0
Ford	One Bulb Per Side Rectangular Composite Headlight	Various Sizes	H9007	1HL2
Ford	One Bulb Per Side Rectangular Composite Halogen	Various Sizes	H9004	1HL6
Ford	One Bulb Per Side Composite Halogen	Various Sizes	H9008, H13	1HL10
<b>DODGE LIGHT TRUCKS</b>				Will not work with LEDs
Dodge	One Bulb Per Side - Round or Rectangular	7" Diameter or 5.5" x 7.88"	6014, H6014, H6024, 6052	1HL0
Dodge	Two Bulbs Per Side Rectangular Headlight	4" x 6.5"	4651, H4651, 4652, H4656	1HL1
Dodge	One Bulb Per Side Rectangular Composite Halogen	Various Sizes	H9007	1HL2
Dodge	One Bulb Per Side Rectangular Halogen	4" x 6.5"	HP6545, H6545, H4666	1HL5
Dodge	One Bulb Per Side - Rectangular Composite Halogen	Various Sizes	H9004	1HL6
Dodge	Two Bulbs Per Side - Composite Halogen (Dodge Sport Only)	Various Sizes	H9004, H9004, H9007	1HL7
Dodge	One Bulb Per Side - Rectangular Composite Halogen	Various Sizes	H13, H9008	1HL10
Dodge	One Bulb Per Side - Rectangular Composite Halogen	Various Sizes	H13, H9008	1HL12*
Dodge	2010 Quad Headlights with daytime running lights		HB3, H9005, H11	1HL14
Dodge	Premium with truck side harness (will not fit new design late 2015/2016)			1HL18
<b>JEEP 4WD VEHICLES</b>				Will not work with LEDs
Jeep	One Bulb Per Side - Round or Rectangular	7" Diameter or 5.5" x 7.88"	6014, H6014, H6024, 6052	1HL0
Jeep	Two Bulbs Per Side - Low Profile Rectangular Halogen	3.64" x 5.93"	H4701, H4703	1HL3
Jeep	One Bulb Per Side Rectangular Composite Halogen	Various Sizes	H9004	1HL6
Jeep	One Bulb Per Side Rectangular Composite Halogen	Various Sizes	H13, H9008	1HL12*
<b>TOYOTA 4WD VEHICLES</b>				Will not work with LEDs
Toyota	One Bulb Per Side - Round or Rectangular	7" Diameter or 5.5" x 7.88"	6000-2D, HB2 H6024, 6052	1HL0
Toyota	Two Bulbs Per Side - Halogen	Various Sizes	9005, H11	1HL13
<b>FOR VEHICLES NOT MENTIONED</b>				Will not work with LEDs
Any	Custom Splice for All Factory Style Headlights*	Any	Any	1HL9*
<b>ASSOCIATED HEADLIGHT COMPONENTS</b>				Will not work with LEDs
All	Headlight Adapter Extension* Sold Individually	Any	Any	1HLX*

\*1HL11 is a complete kit that includes LED turn signal bulbs for plow lights  
 \*1HL12 is a complete kit that includes LED turn signal bulbs for plow lights

\*1HL9 Headlight Adapter Requires Hardwiring to Vehicle's Existing Headlight System  
 \*1HLX Headlight Adapter Extension will lengthen (1) Headlight Adapter by 12" End to End

# HomePro 3000



# HomePro 3000

## Lift Frame

REF NUMBER	ITEM NUMBER	ITEM DESCRIPTION	QTY
	1TBP38D	LIFT FRAME HOME PRO 7' & 7.5' COMPLETE	1
1	8SV-TBP114A-B5	DRIVER'S SIDE LATCH HOOK HOME-PRO- (BLACK)	1
2	8SV-TBP115A-B5	PASSENGER'S SIDE LATCH HOOK HOME-PRO- (BLACK)	1
3	1TBP107	SNAP LOCK HANDLE	1
4	1TBP33B	SNAP LOCK SPRING	2
5	1TBP103	PLASTIC HANDLE FOR SNAP LOCK SP3000	1
6	8SV-TBP112-B5	LIFT FRAME SIDE PLATE, LH SNO-PRO 3000	1
7	8SV-TBP112-B5	LIFT FRAME SIDE PLATE, RH SNO-PRO 3000	1
8	1TBP39H	PLOW LIGHT KIT, DUAL HALOGEN LAMPS W/SWITCH KIT	1
9	1TBP161	PLOW LIGHT MOUNTING HARDWARE	1
10	1TBP33A-1	TORSION SPRING, LH SNO-PRO 3000	1
11	1TBP33A-2	TORSION SPRING, RH SNO-PRO 3000	1
12	1TBP113	TORSION SPRING BUSHING	2
13	1TBP40	LIFT ARM	1
14	1TBP108	1" X 4-1/2" CLEVIS PIN	1
15	1TBP42	3/4" X 4-1/2" CLEVIS PIN	1
16	1TBP43	3/4" X 2-3/4" CLEVIS PIN	1
17	1TBP44A	7-1/2" LIFT PISTON	1
18	1TBP98H	45 DEGREE ELBOW FOR LIFT PISTON	1
19	1TBP109	1" PISTON SPACER	1
20	1TBP135	PLOW SIDE PLUG STORAGE HOLDER/ WEATHER CAP	1
21	1TBP159	SNAP LOCK CROSS BOLT WITH BUSHING AND NUT	1
22	1TBP97	PLASTIC HANDLE COVER, 1.00 -4" WITH PRINTING FOR SNO-PRO 3000	1

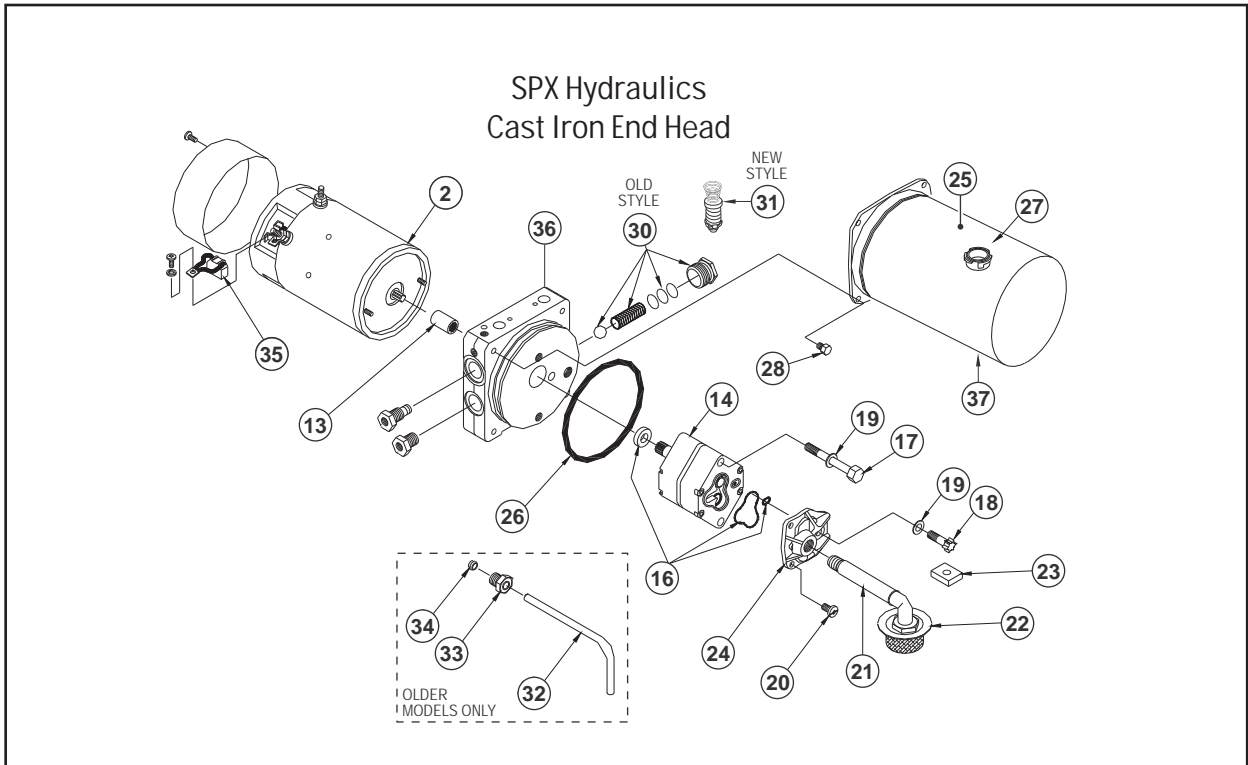
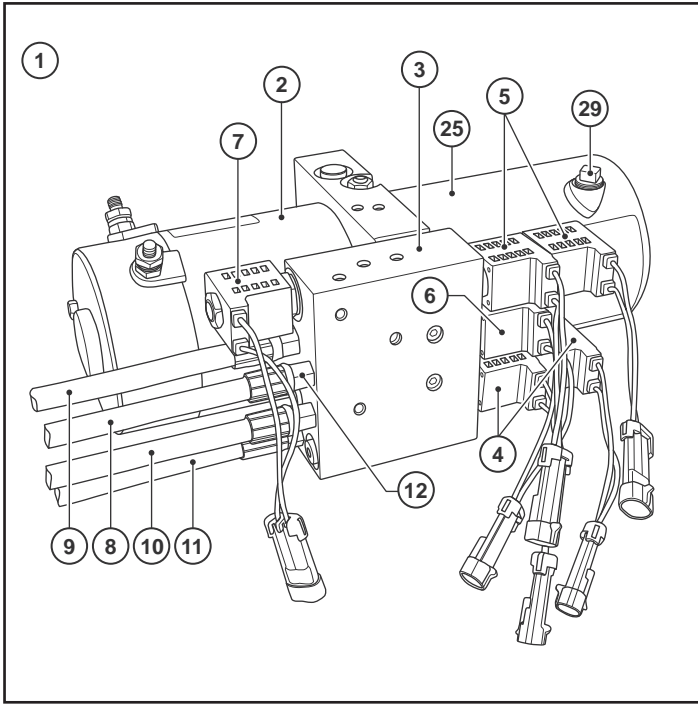
### ORDERABLE AS KITS - NOT SEPARATELY

3,4,5	9SV-SLH	SNAP LOCK HANDLE KIT (KIT INCLUDES 1 HANDLE, 2 SPRINGS, 1 HANDLE COVER)	
6,7	8SV-TBP112-B5	LIFT FRAME SIDE PLATE KIT, SNO-PRO 3000, (KIT INCLUDES L&R PLATES)	
10,11,12	9SV-TBP33A	TORSION SPRING KIT (SIDE PLATE TORSION SPRINGS & BUSHINGS, SET OF 2)	

## Moldboard & Trip Frame

REF NUMBER	ITEM NUMBER	ITEM DESCRIPTION	QTY
1	1TBP21I	7' HOME-PRO MOLDBOARD	1
2	1TBP21K	7.5' HOME-PRO MOLDBOARD	1
3	1TBP124	HOME-PRO MOLDBOARD SKIN HMW PLASTIC	1
4	1TBP124-90HP	HP MOLDBOARD SKIN-HMW PLASTIC 90"LX 23-3/8"W X 3/16" THICK	1
5	1TBP37	BLADE MARKER KIT (SET OF 2)	1
6	1TBP34	SPRING EYEBOLT 5/8"-11 X 7	2
11	1TBP49I	7' CUTTING EDGE	1
12	1TBP49K	7-1/2' CUTTING EDGE	1
13	1TBP33	TRIP SPRING	4
7	1TBP24	3/16" X 2" COTTER PIN (Sold as Set of 4)	14
9	1TBP23	1" X 4" CLEVIS PIN	3
8	1TBP22C	TRIP FRAME ASSEMBLY (HOME-PRO)	1
10	1TBP127	TRIP FRAME PIVOT PIN HOME-PRO 3000 (3-7/8" LONG)	1
11	1TBP49I	7' CUTTING EDGE	1
12	1TBP49K	7.5' CUTTING EDGE	1
13	1TBP33	TRIP SPRING	2

# HomePro 3000



# HomePro 3000

## Hydraulics

REF NUMBER	ITEM NUMBER	ITEM DESCRIPTION	QTY
1	1TBP59APC	HYDRAULIC POWER UNIT COMPLETE W/MANIFOLD, VALVES & COILS	1
2	1TBM8	DC MOTOR 12V - DUAL POST	1
	1TBP59AP1	HYDRAULIC PUMP ASSEMBLY W/O MANIFOLD, SNO-PRO	1
3	1TBP59AP2	MANIFOLD BLOCK ASSEMBLY W/ VALVES & COILS, SNO PRO	1
4	1TBM201	3P3W TANDEM CENTER ANGLE VALVE W/10 VOLT COIL KIT	1
5	1TBM202	3P3W OPEN CENTER LIFT/JACK VALVE W/10 VOLT COIL KIT	1
6	1TBM203	2P2W NC ZERO LEAK JACK RETRACT VALVE W/10 VOLT COIL KIT	1
7	1TBM204	2P2W NC ZERO LEAK FLOAT VALVE W/12 VOLT COIL KIT	1
8	1TBP98A	JACK HOSE - 26-1/2"	1
9	1TBP98B	LIFT HOSE - 37.5"	1
10	1TBP98C	RIGHT ANGLE HOSE - 19"	1
11	1TBP98D	LEFT ANGLE HOSE - 28"	1
12	1TBP98E	BLOCK ADAPTER FOR JACK HOSE	1

### SPX HYDRAULICS

13	1TBM12	PUMP TO MOTOR COUPLING SPX	1
14	1TBM13	PUMP ASSEMBLY - SPX	1
16	1TBM14	PUMP O-RING KIT	1
17	1TBM16	PUMP MOUNTING BOLT	2
19	1TBM15	WASHER FLAT	1
18	1TBM17	BOLT - SUCTION COVER 5/16"	1
20	1TBM18	SCREW TAPTITE M6 x 12mm	1
21	1TBM19	PLUMBING ASSEMBLY INLET	1
22	1TBM20	FILTER	1
23	1TBM21	COLLECTOR MAGNET	1
24	1TBM29	SUCTION COVER	1
25	9SV-RES	HYDRAULIC POWER UNIT RESERVOIR KIT	1
26	1TBM11	SPX RESERVOIR O-RING	1
27	1TBP63B	RESERVOIR CAP - SNO-PRO 3000 INTERNAL (3/8" BRONZE)	1
28	1TBM22	RESERVOIR SCREW (Set of 4)	1
29	1TBP63A	RESERVOIR CAP - SNO-PRO 3000 EXTERNAL	1
30	1TBM25	FIXED RELIEF VALVE ASSEMBLY - (SPX - USE 1TBM25A)	1
31	1TBM25A	FIXED RELIEF VALVE - CARTRIDGE STYLE	1
32	1TBM26	RETURN TUBE	1
33	1TBM27	COMPRESSION NUT	1
34	1TBM28	COMPRESSION SLEEVE	1
35	1TBM30	MOTOR BRUSH KIT	1
36	1TBM31	END HEAD	1
37	1TBM32	RESERVOIR DRAIN PLUG	1

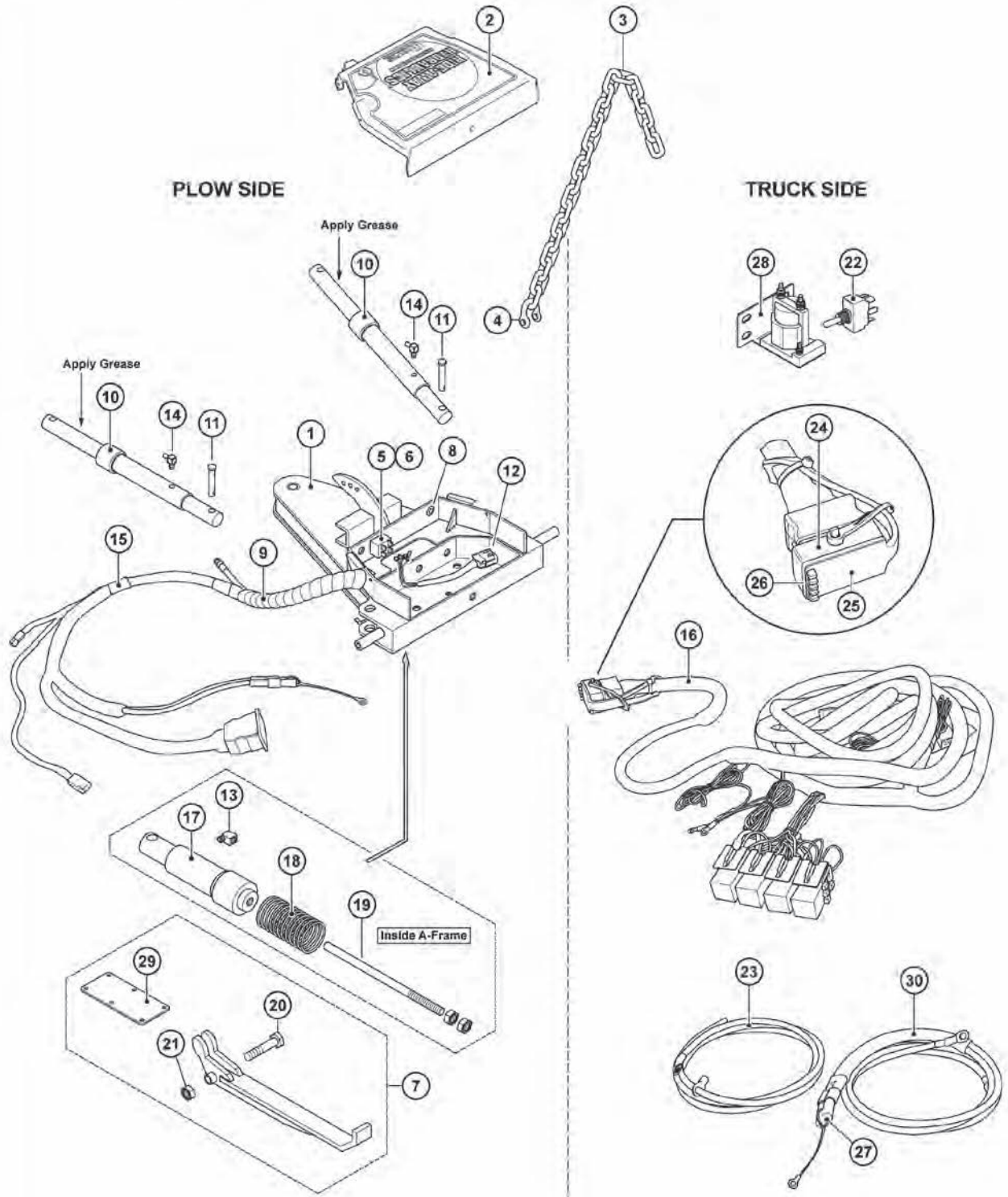
### ORDERABLE AS KITS - NOT SEPARATELY

18 - 24	9SV-FLT	HYDRAULIC PUMP FILTER KIT
25 - 28	9SV-RES	HYDRAULIC POWER UNIT RESERVOIR KIT



# HomePro 3000

## A-Frame



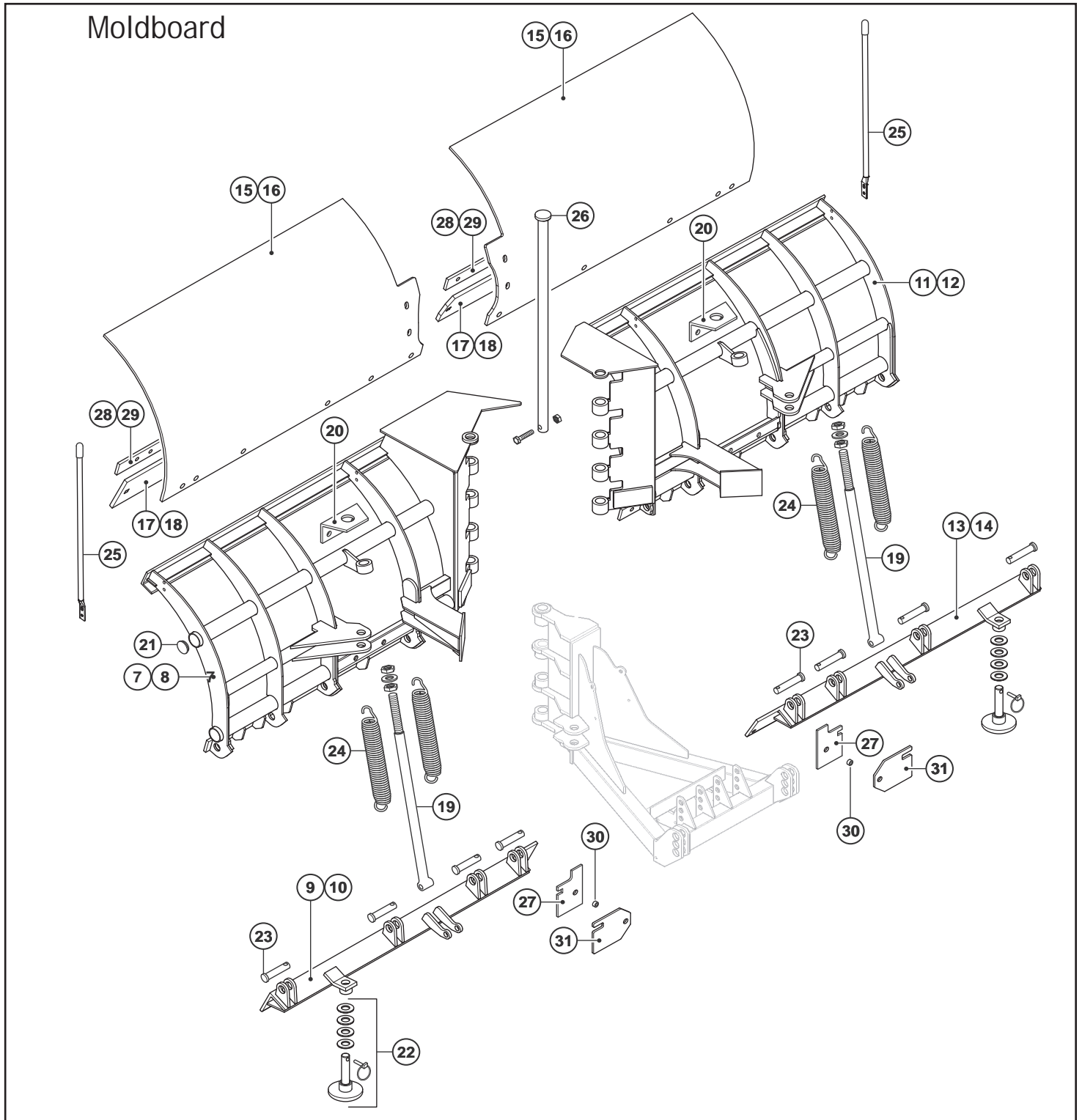
# HomePro 3000

## A-Frame

REF NUMBER	ITEM NUMBER	ITEM DESCRIPTION	QTY
	1TBP29C	A-FRAME ASSEMBLY - COMPLETE	1
1	8SV-NAFW-B5	A-FRAME ASSEMBLY - FRAME ONLY SNO-PRO 3000 (BLACK)	1
2	1TBP58A	A-FRAME COVER,	1
3	1TBP30	5/16" X 24" CHAIN	2
4	1TBP31	5/16" ANCHOR SHACKLE	2
5	1TBP100	A-FRAME JACK SWITCH	1
6	1TBP100A	TOGGLE SWITCH BOOT	1
8	1TBP106	JACK LEG	1
8	1TBP128	A-FRAME HOSE GROMMET .625 ID X 1.125 OD X .50 LONG	3
9	1TBP129	HARNESS (SPIRAL) WRAP, CUT @ 16" LENGTH	1
10	1TBP27	10" ANGLE PISTON	2
11	1TBP73	1" X 3" CLEVIS PIN	2
12	1UHJA	JACK ADAPTER 3000 SERIES (HYDRAULIC JACK ONLY)	1
13	1TBP98F	90 DEG. BRASS BAR STREET ELBOW	1
14	1TBP98G	90 DEGREE ELBOW	2
15	1UHP	UNIVERSAL HARNESS-PLOW SIDE	1
16	1UHT	UNIVERSAL HARNESS-TRUCK SIDE	1
17	1TBP95	3" JACK CYLINDER	1
18	1TBP96	6" JACK SPRING	1
19	1TBP111	JACK SPRING GUIDE ROD	1
20	BUY LOCALLY	5/8"-11 x 4.5" GRADE 5 HEX BOLT	
21	BUY LOCALLY	5/8"-11" NYLON LOCK NUT	
22	1TBP48A	LIGHT SWITCH FOR TRUCK PLOW	1
23	1TBP62	#4 CABLE 90"	1
24	1TBP136	VEHICLE SIDE CONTROL WEATHER CAP	1
25	1TBP140	LOCK PIN STORAGE HOLDER & LANYARD	1
26	1TBP141	HARNESS LOCK PIN (SET OF 5)	1
27	1TBP54	HI-AMP WEATHER CAP	1
28	1TBP61A	12V MOTOR SOLENOID	1
29	1TBP117	A-FRAME BOTTOM JACK COVER	1
29	8SV-TBP117-B5	A-FRAME BOTTOM JACK COVER (BLACK)	1
30	1TBP53	HI-AMP BATTERY HARNESS	1

# V-Plow 3000

## SERVICE PARTS ONLY



# V-Plow 3000

## SERVICE PARTS ONLY

### Moldboard

REF NUMBER	ITEM NUMBER	ITEM DESCRIPTION	QTY
1	1TBP21VP8	8'- 2" POLY MOLDBOARD V-PLOW	1
2	1TBP21VP9	9'- 2" POLY MOLDBOARD V-PLOW	1
3	1TBP21VP8L	MOLDBOARD WITH TRIP EDGE-8.2' POLY V-PLOW DRIVER'S SIDE	1
3	8SV-21VP8L-B5	MOLDBOARD WITH TRIP EDGE-8.2' POLY V-PLOW DRIVER'S SIDE (BLACK)	1
4	1TBP21VP9L	MOLDBOARD WITH TRIP EDGE-9.2' POLY V-PLOW DRIVER'S SIDE	1
4	8SV-21VP9L-B5	MOLDBOARD WITH TRIP EDGE-9.2' POLY V-PLOW DRIVER'S SIDE (BLACK)	1
5	1TBP21VP8R	MOLDBOARD WITH TRIP EDGE-8.2' POLY V-PLOW PASSENGER'S SIDE	1
5	8SV-21VP8R-B5	MOLDBOARD WITH TRIP EDGE-8.2' POLY V-PLOW PASSENGER'S SIDE (BLACK)	1
6	1TBP21VP9R	MOLDBOARD WITH TRIP EDGE-9.2' POLY V-PLOW PASSENGER'S SIDE	1
6	8SV-21VP9R-B5	MOLDBOARD WITH TRIP EDGE-9.2' POLY V-PLOW PASSENGER'S SIDE (BLACK)	1
7	1TBP21VP8L-M	MOLDBOARD-8.2' POLY V PLOW DRIVER'S SIDE	1
7	8SV-21VP8LM-B5	MOLDBOARD-8.2' POLY V PLOW DRIVER'S SIDE (BLACK)	1
8	1TBP21VP9L-M	MOLDBOARD-9.2' POLY V PLOW DRIVER'S SIDE	1
8	8SV-21VP9LM-B5	MOLDBOARD-9.2' POLY V PLOW DRIVER'S SIDE (BLACK)	1
9	1TBP21VP8L-T	TRIP EDGE ANGLE-8.2' POLY VPLOW DRIVER'S SIDE	1
9	8SV-21VP8LT-B5	TRIP EDGE ANGLE-8.2' POLY VPLOW DRIVER'S SIDE (BLACK)	1
10	1TBP21VP9L-T	TRIP EDGE ANGLE-9.2' POLY VPLOW DRIVER'S SIDE	1
10	8SV-21VP9LT-B5	TRIP EDGE ANGLE-9.2' POLY VPLOW DRIVER'S SIDE (BLACK)	1
11	1TBP21VP8R-M	MOLDBOARD-8.2' POLY V PLOW PASSENGER'S SIDE	1
11	8SV-21VP8RM-B5	MOLDBOARD-8.2' POLY V PLOW PASSENGER'S SIDE (BLACK)	1
12	1TBP21VP9R-M	MOLDBOARD-9.2' POLY V PLOW PASSENGER'S SIDE	1
12	8SV-21VP9RM-B5	MOLDBOARD-9.2' POLY V PLOW PASSENGER'S SIDE (BLACK)	1
13	1TBP21VP8R-T	TRIP EDGE ANGLE-8.2' POLY VPLOW PASSENGER'S SIDE	1
13	8SV-21VP8RT-B5	TRIP EDGE ANGLE-8.2' POLY VPLOW PASSENGER'S SIDE (BLACK)	1
14	1TBP21VP9R-T	TRIP EDGE ANGLE-9.2' POLY VPLOW PASSENGER'S SIDE	1
14	8SV-21VP9RT-B5	TRIP EDGE ANGLE-9.2' POLY VPLOW PASSENGER'S SIDE (BLACK)	1
15	1TBP124-46	SKIN POLY 8.2' 3/8" THICK POLYETHYLENE	2
16	1TBP124-52	SKIN POLY 9.2' 3/8" THICK POLYETHYLENE	2
17	1TBP49V3	CUTTING EDGE, 8'-2" POLY V-PLOW	2
18	1TBP49V4	CUTTING EDGE, 9'-2" POLY V-PLOW	2
19	1TBP142	SPRING ADJUSTMENT ROD - TRIP EDGE- ZINC PLATED	2
19	8SV-TBP142	SPRING ADJUSTMENT ROD - TRIP EDGE- ZINC PLATED -SET OF 2	1
20	1TBP143	SPRING ADJUSTMENT ROD TOP ANGLE - TRIP EDGE	2
20	8SV-TBP143	SPRING ADJUSTMENT ROD TOP ANGLE - TRIP EDGE-SET OF 2	1
21	1TBP166	1 3/4" ROUND END PLUG, V-PLOW	4
22	1TB50T	SKID SHOE (CAST DUCTILE IRON)	2
23	1VP14	1" x 2-1/2" CLEVIS PIN	8
24	1TBP33	TRIP SPRING	4
25	1TBP37	BLADE MARKER KIT (SET OF 2)	1
26	1VP10	MOLDBOARD HINGE PIN, V-PLOW	1
27	1VP3A	CUTTING EDGE CENTER FLAP,3/8 RUBBER, 7.75" X 6.25", REV.B	2
28	1TBP21VP8-BSB	BOTTOM SKIN BAR-46.375" LONG POLY V PLOW	2
28	8SV-VP8BSB-B5	BOTTOM SKIN BAR-46.375" LONG POLY V PLOW (BLACK)	1
29	1TBP21VP9-BSB	BOTTOM SKIN BAR-52.375" LONG POLY V PLOW	2
29	8SV-VP9BSB-B5	BOTTOM SKIN BAR-52.375" LONG POLY V PLOW (BLACK)	1
30	1VP20	CENTER FLAP BUSHING	2
31	1VP81	CENTER FLAP PLATE	2





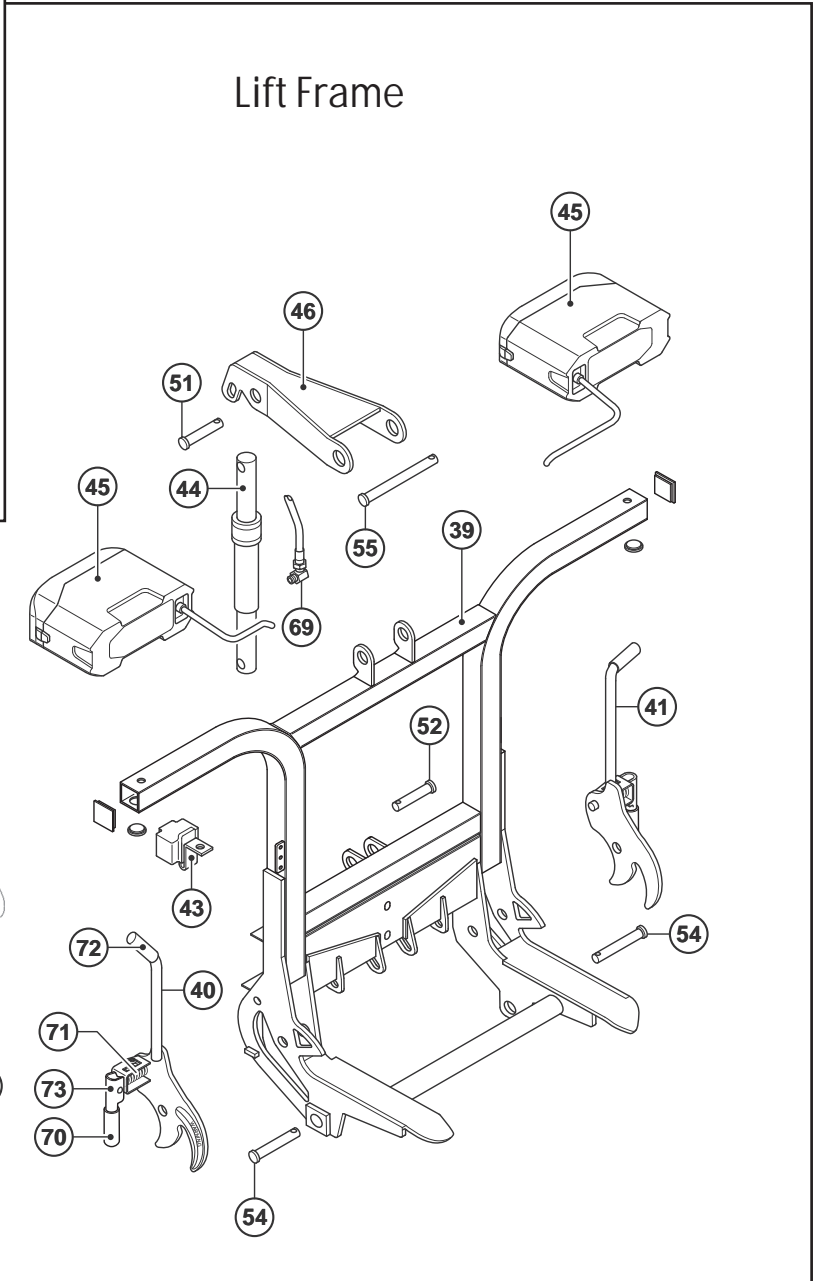
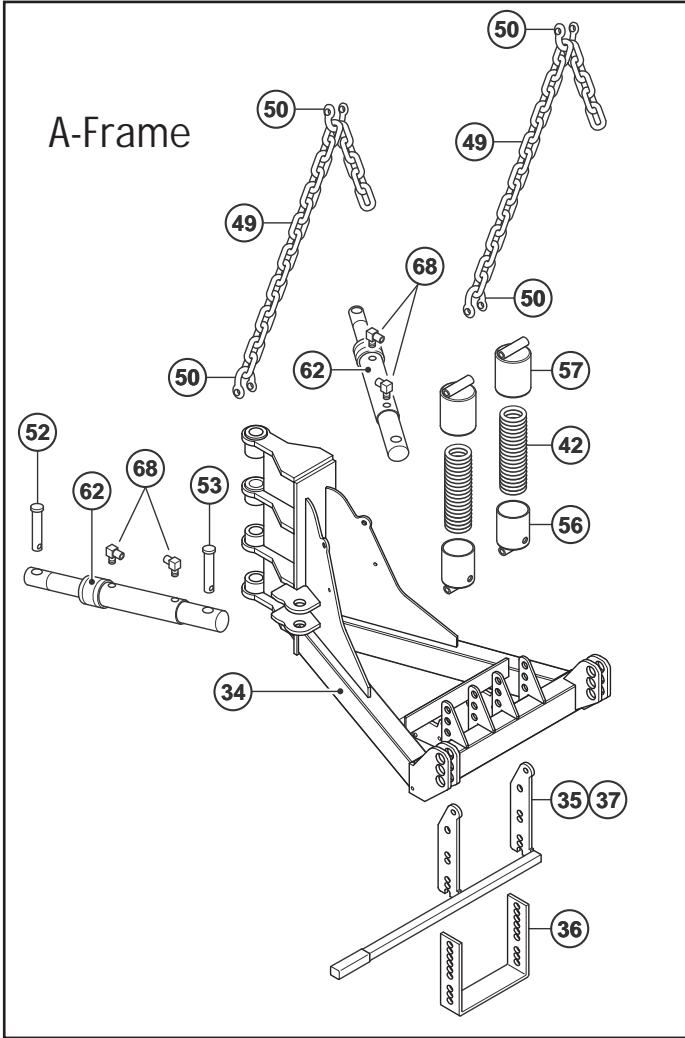
# V-Plow 3000

## Hydraulics

REF NUMBER	ITEM NUMBER	ITEM DESCRIPTION	QTY
1	1TBP59AP1-B	V-PLOW POWER UNIT COMPLETE MANIFOLD/HARNESSES/HOSES	1
40	1TBP59AP4	ELECTRIC/HYDRAULIC POWER UNIT ONLY, COMMERCIAL & V-PLOW	1
2	1TBM8	DC MOTOR 12V - DUAL POST	1
3	1TBP59AP2V	DISCONTINUED	1
4	1TBM1V	3/4 WAY SOLENOID VALVE (WING EXTEND) V-PLOW	1
5	1TBM3	2/2 WAY LIFT SOLENOID VALVE SNO-PRO 2000	1
7	1TBM2V	V-PLOW ADJUSTABLE FLOAT VALVE	1
8	1TBP98O	HYDRAULIC HOSE - 19" (LIFT) 3/8"	1
9	1TBP98K	DRIVER'S EXTEND HOSE 60" (WC PORT ON MANIFOLD)	1
10	1TBP98L	DRIVER'S RETRACT HOSE 63" (WD PORT ON MANIFOLD)	1
11	1TBP98M	PASSENGER'S EXTEND HOSE 45" (WA PORT ON MANIFOLD)	1
12	1TBP98N	PASSENGER'S RETRACT HOSE 50" (WB PORT ON MANIFOLD)	1
	1TBP200	STEEL SAE BOSS ADAPTER CONN. MALE ORING, FEMALE PIPE	1
13	1TBM12	PUMP TO MOTOR COUPLING SPX	1
15	1TBM35	3.1 GPM PUMP - V-PLOW AND COMMERCIAL PLOW	1
16	1TBM14	PUMP O-RING KIT	1
17	1TBM16	PUMP MOUNTING BOLT	2
18	1TBM15	WASHER FLAT	1
19	1TBM17	BOLT - SUCTION COVER 5/16"	1
20	1TBM18	SCREW TAPTITE M6 x 12mm	1
21	1TBM19	PLUMBING ASSEMBLY INLET	1
22	1TBM20	FILTER	1
23	1TBM21	COLLECTOR MAGNET	1
24	1TBM29	SUCTION COVER	1
	9SV-FLT	HYDRAULIC PUMP FILTER KIT	1
25	1TBM36	RESERVOIR 2 QT - V-PLOW AND COMMERCIAL PLOW	1
26	1TBM11	SPX RESERVOIR O-RING	1
27	1TBP63B	RESERVOIR CAP - SNO-PRO 3000 INTERNAL (3/8" BRONZE)	1
28	1TBM22	RESERVOIR SCREW (Set of 4)	1
30	1TBM25	FIXED RELIEF VALVE ASSEMBLY - (SPX - USE 1TBM25A)	1
32	1TBM26	RETURN TUBE	1
33	1TBM27	COMPRESSION NUT	1
34	1TBM28	COMPRESSION SLEEVE	1
35	1TBM30	MOTOR BRUSH KIT	1
36	1TBM31	END HEAD	1
	1TBM32	RESERVOIR DRAIN PLUG	1
38	1TBM4A	10 VDC COIL - STERLING	5
39	1TBM4	12 VDC COIL - STERLING	1

# V-Plow 3000

## SERVICE PARTS ONLY



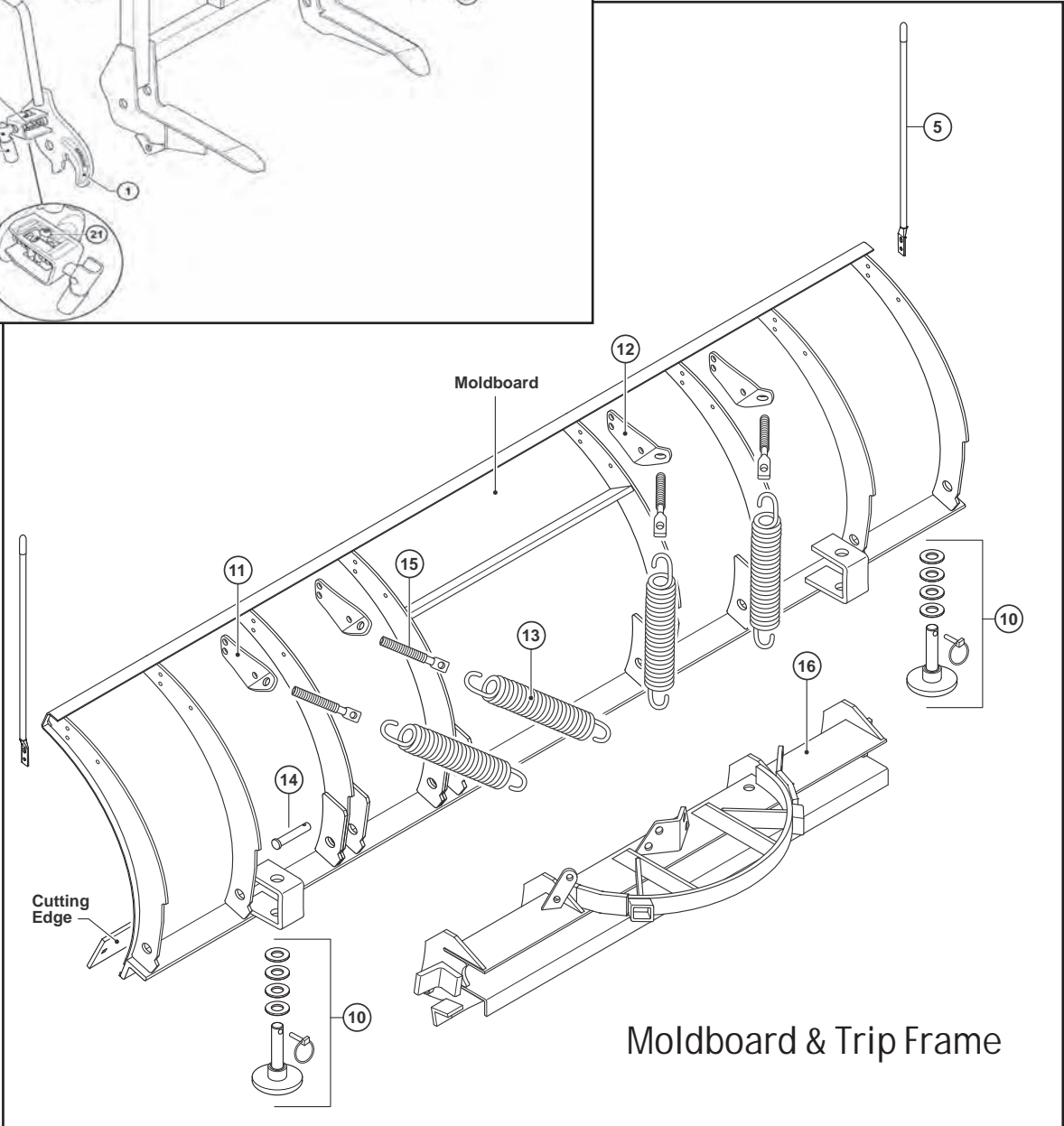
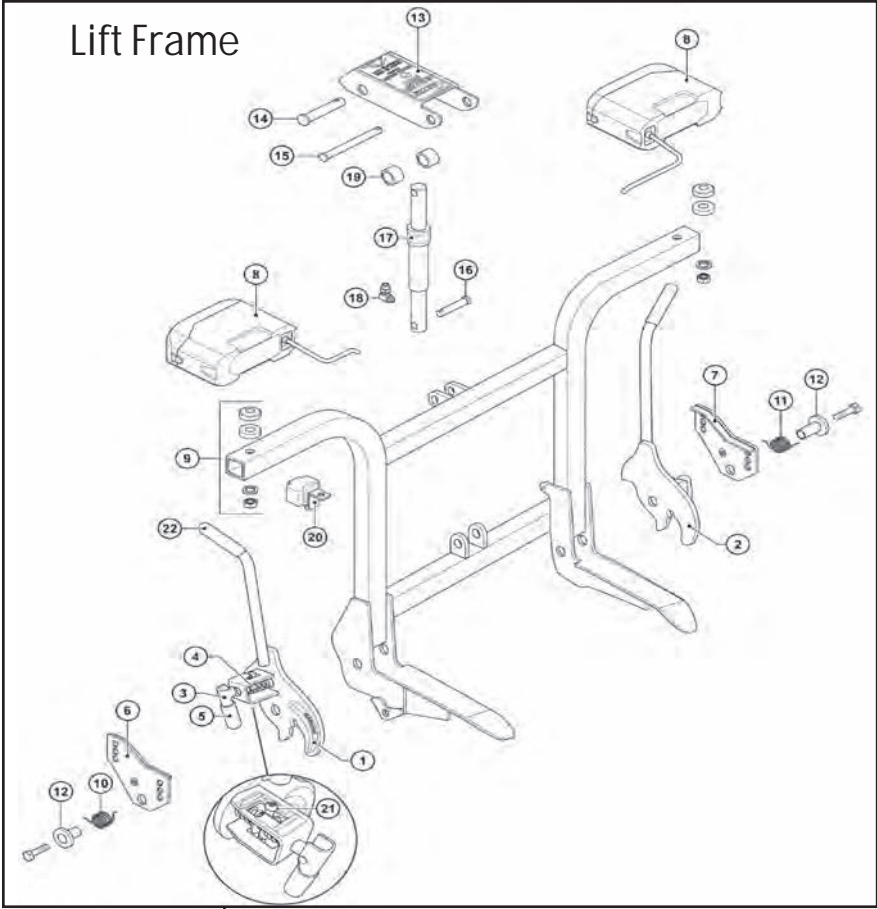
# V-Plow 3000

## SERVICE PARTS ONLY

### A-Frame/Lift Frame

REF NUMBER	ITEM NUMBER	ITEM DESCRIPTION	QTY
33	1TBP29VTP	A-FRAME, V PLOW POLY TRIP COMPLETE	1
34	8SV-VPPAF-B5	A-FRAME, V PLOW POLY TRIP -FRAME ONLY	1
35	1TBP106V	JACK LEG W/HEIGHT ADJUSTMENT V-PLOW	1
36	1TBP106V1	JACK STAND - V PLOW	1
37	1TBP106V2	TUBE, 1" OD X 5/16 WALL X 3/8 LONG, JACK STAND PIVOT BUSHING	2
38	1TBP38V	LIFT FRAME, V-PLOW INCL. LATCH HOOKS	1
39	8SV-VPPLF-B5	LIFT FRAME, V-PLOW -FRAME ONLY (BLACK)	1
40	1TBP114	DRIVER'S SIDE LATCH HOOK	1
40	8SV-TBP114-B5	DRIVER'S SIDE LATCH HOOK - (BLACK)	1
41	1TBP115	PASSENGER'S SIDE LATCH HOOK	1
41	8SV-TBP115-B5	PASSENGER'S SIDE LATCH HOOK - (BLACK)	1
42	1CP39	SPRING, BLUE DIE, 2" x 8" COMMERCIAL PLOW	2
	1CPMK-HWK	HARDWARE KIT - CURTIS PLUG MOUNT	1
43	1TBP135	PLOW SIDE PLUG STORAGE HOLDER	1
44	1TBP27	10" ANGLE PISTON - 1-1/2" X10" STROKE SINGLE ACT HYD CYL	1
45	1TBP39H	PLOW LIGHT KIT, DUAL HALOGEN LAMPS W/SWITCH KIT	1
46	1TBP40V	LIFT ARM - V-PLOW	1
47	1TBP58V	PUMP COVER FOR V-PLOW	1
	1TBP61A	12V MOTOR SOLENOID	1
49	1TBP30C	5/16" X 26" CHAIN	2
50	1TBP31	5/16" ANCHOR SHACKLE	4
51	1VP14	1" x 2-1/2" CLEVIS PIN	1
52	1TBP73	1" X 3" CLEVIS PIN	3
53	1TBP145	1" X 3-1/2" CLEVIS PIN	2
54	1TBP23	1" X 4" CLEVIS PIN	2
55	1TBP92	1" X 6" CLEVIS PIN	1
56	1TBP-LWRCAN	LOWER SPRING CAN V-PLOW	2
57	1TBP-UPRCAN	UPPER SPRING CAN V-PLOWS	2
59	1UHP	UNIVERSAL HARNESS PLOW SIDE	1
60	1UHT	UNIVERSAL HARNESS-TRUCK SIDE	1
61	1UHVA	V-PLOW ADAPTER (V-PLOW ONLY)	1
62	1VP1	CYLINDER, 2" x 10" STROKE DOUBLE ACTING, V-PLOW	2
	1VPP-HWB	HARDWARE KIT,8.2/ 9.2 POLY V- PLOW	1
68	1TBP98G	90 DEGREE ELBOW	4
69	1TBP98H	45 DEGREE ELBOW FOR LIFT PISTON	1
70	1TBP107	SNAP LOCK HANDLE	1
71	1TBP33B	SNAP LOCK SPRING	2
72	1TBP97	PLASTIC HANDLE COVER, 1.00 -4" WITH PRINTING FOR SNO-PRO 3000	1
	9SV-SLH	SNAP LOCK HANDLE KIT	1

# Sno-Pro 3000 Poly



# Sno-Pro 3000 Poly

## Lift Frame

REF NUMBER	ITEM NUMBER	ITEM DESCRIPTION	QTY
	1TBP38A1	SNO PRO LIFT FRAME ASSEMBLY COMPLETE	1
1	8SV-TBP114-B5	DRIVER'S SIDE LATCH HOOK - (BLACK)	1
2	8SV-TBP115-B5	PASSENGER'S SIDE LATCH HOOK - (BLACK)	1
3	1TBP107	SNAP LOCK HANDLE	1
4	1TBP33B	SNAP LOCK SPRING	2
5	1TBP103	PLASTIC HANDLE FOR SNAP LOCK SP3000	1
6	1TBP112A	LIFT FRAME SIDE PLATE, LH SNO-PRO 3000	1
7	1TBP112B	LIFT FRAME SIDE PLATE, RH SNO-PRO 3000	1
8	1TBP39H	PLOW LIGHT KIT, DUAL HALOGEN LAMPS W/SWITCH KIT	1
9	1TBP161	PLOW LIGHT MOUNTING HARDWARE	1
10	1TBP33A-1	TORSION SPRING, LH SNO-PRO 3000	1
11	1TBP33A-2	TORSION SPRING, RH SNO-PRO 3000	1
12	1TBP113	TORSION SPRING BUSHING	2
13	1TBP40	LIFT ARM	1
14	1TBP108	1" X 4-1/2" CLEVIS PIN	1
15	1TBP42	3/4" X 4-1/2" CLEVIS PIN	1
16	1TBP43	3/4" X 2-3/4" CLEVIS PIN	1
17	1TBP44A	7-1/2" LIFT PISTON	1
18	1TBP98H	45 DEGREE ELBOW FOR LIFT PISTON	1
19	1TBP109	1" PISTON SPACER	1
20	1TBP135	PLOW SIDE PLUG STORAGE HOLDER/ WEATHER CAP	1
21	1TBP159	SNAP LOCK CROSS BOLT WITH BUSHING AND NUT	1
22	1TBP97	PLASTIC HANDLE COVER, 1.00 -4" WITH PRINTING FOR SNO-PRO 3000	1

### ORDERABLE AS KITS - NOT SEPARATELY

3,4,5	9SV-SLH	SNAP LOCK HANDLE KIT (KIT INCLUDES 2 HANDLES, 2 SPRINGS, 2 HANDLE COVERS)	
6,7	8SV-TBP112-B5	LIFT FRAME SIDE PLATE KIT, SNO-PRO 3000, (KIT INCLUDES L&R PLATES)	
10,11,12	9SV-TBP33A	TORSION SPRING KIT (SIDE PLATE TORSION SPRINGS & BUSHINGS, SET OF 2)	

## Moldboard & Trip Frame

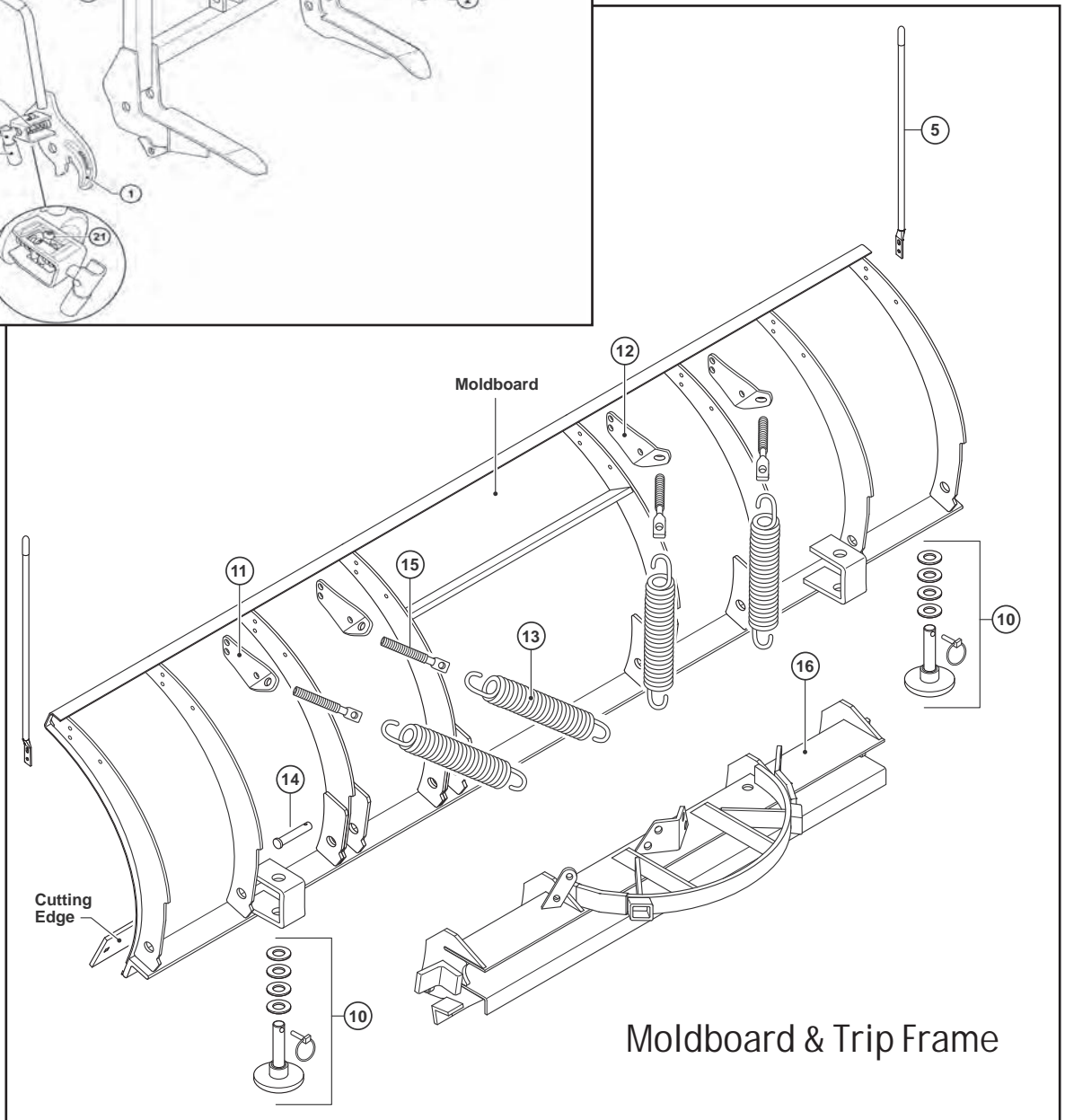
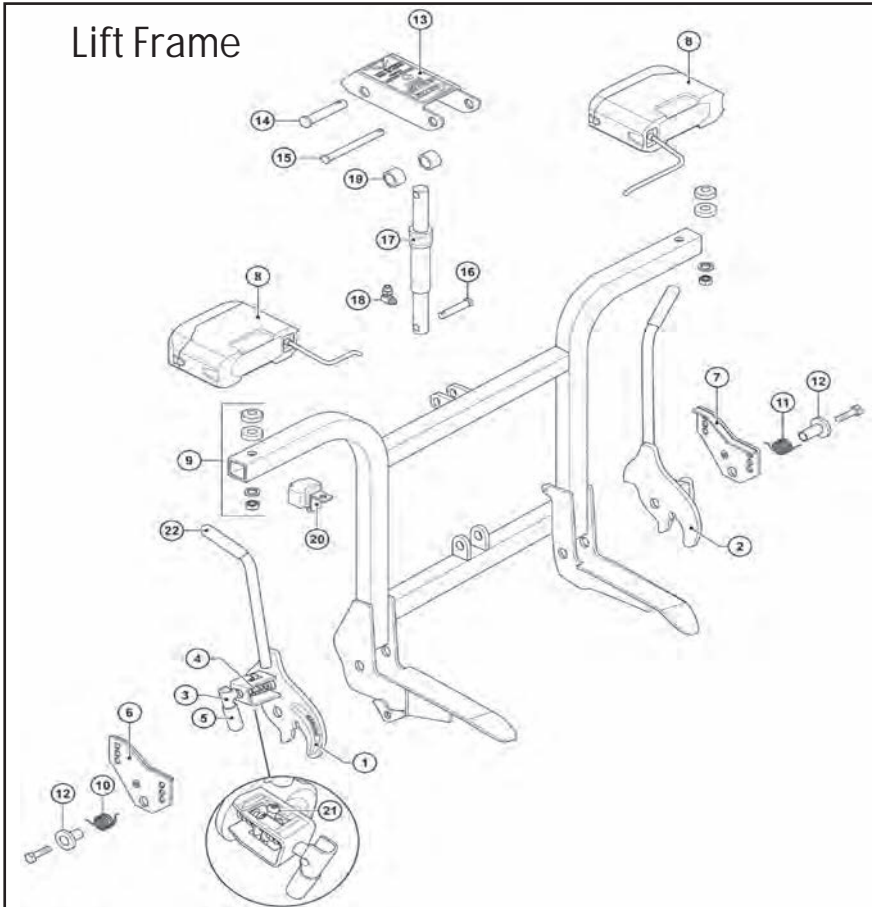
REF NUMBER	ITEM NUMBER	ITEM DESCRIPTION	QTY
1	1TBP21A-POLY	7.5' POLYETHYLENE MOLDBOARD	1
2	1TBP21B-POLY	8' POLYETHYLENE MOLDBOARD	1
3	1TBP124-90	SKIN FOR POLY PLOW-POLYETHYLENE 90"L X 28-3/8"W X 3/8" THICK	1
4	1TBP124-96	SKIN FOR POLY PLOW-POLYETHYLENE 96"L X 28-3/8"W X 3/8" THICK	1
5	1TBP37	BLADE MARKER KIT (SET OF 2)	1
6	1TBP49A	7-1/2' CUTTING EDGE	1
7	1TBP49B	8' CUTTING EDGE	1
8	1TBP50	SKID SHOE (CAST DUCTILE IRON)	1
9	1TBP133L	MOLDBOARD SPRING MOUNT-DRIVER'S SIDE	2
10	1TBP133R	MOLDBOARD SPRING MOUNT-PASSENGER'S SIDE	2
11	1TBP33	TRIP SPRING	4
12	1TBP23	1" X 4" CLEVIS PIN	6
13	1TBP34	SPRING EYEBOLT 5/8"-11 X 7"	4
14	1TBP22B1	TRIP FRAME ASSEMBLY (TRUCK PLOW) SNO-PRO 3000 PHASE II	1

### ORDERABLE AS KITS - NOT SEPARATELY

9-10	8SV-TBP133LR-B5	MOLDBOARD SPRING MOUNT KIT (INCLUDES 4 BRACKETS, 2L & 2R)	1
------	-----------------	---	---



# Sno-Pro 3000 Steel



# Sno-Pro 3000 Steel

## Lift Frame

REF NUMBER	ITEM NUMBER	ITEM DESCRIPTION	QTY
	1TBP38A1	SNO PRO LIFT FRAME ASSEMBLY COMPLETE	1
1	8SV-TBP114-B5	DRIVER'S SIDE LATCH HOOK - (BLACK)	1
2	8SV-TBP115-B5	PASSENGER'S SIDE LATCH HOOK - (BLACK)	1
3	1TBP107	SNAP LOCK HANDLE	1
4	1TBP33B	SNAP LOCK SPRING	2
5	1TBP103	PLASTIC HANDLE FOR SNAP LOCK SP3000	1
6	8SV-TBP112-B5	LIFT FRAME SIDE PLATE, LH SNO-PRO 3000	1
7	8SV-TBP112-B5	LIFT FRAME SIDE PLATE, RH SNO-PRO 3000	1
8	1TBP39H	PLOW LIGHT KIT, DUAL HALOGEN LAMPS W/SWITCH KIT	1
9	1TBP161	PLOW LIGHT MOUNTING HARDWARE	1
10	1TBP33A-1	TORSION SPRING, LH SNO-PRO 3000	1
11	1TBP33A-2	TORSION SPRING, RH SNO-PRO 3000	1
12	1TBP113	TORSION SPRING BUSHING	2
13	1TBP40	LIFT ARM	1
14	1TBP108	1" X 4-1/2" CLEVIS PIN	1
15	1TBP42	3/4" X 4-1/2" CLEVIS PIN	1
16	1TBP43	3/4" X 2-3/4" CLEVIS PIN	1
17	1TBP44A	7-1/2" LIFT PISTON	1
18	1TBP98H	45 DEGREE ELBOW FOR LIFT PISTON	1
19	1TBP109	1" PISTON SPACER	1
20	1TBP135	PLOW SIDE PLUG STORAGE HOLDER/ WEATHER CAP	1
21	1TBP159	SNAP LOCK CROSS BOLT WITH BUSHING AND NUT	1
22	1TBP97	PLASTIC HANDLE COVER, 1.00 -4" WITH PRINTING FOR SNO-PRO 3000	1

### ORDERABLE AS KITS - NOT SEPARATELY

3,4,5	9SV-SLH	SNAP LOCK HANDLE KIT (KIT INCLUDES 2 HANDLES, 2 SPRINGS, 2 HANDLE COVERS)
6,7	8SV-TBP112-B5	LIFT FRAME SIDE PLATE KIT, SNO-PRO 3000, (KIT INCLUDES L&R PLATES)
10,11,12	9SV-TBP33A	TORSION SPRING KIT (SIDE PLATE TORSION SPRINGS & BUSHINGS, SET OF 2)

## Moldboard and Trip Frame

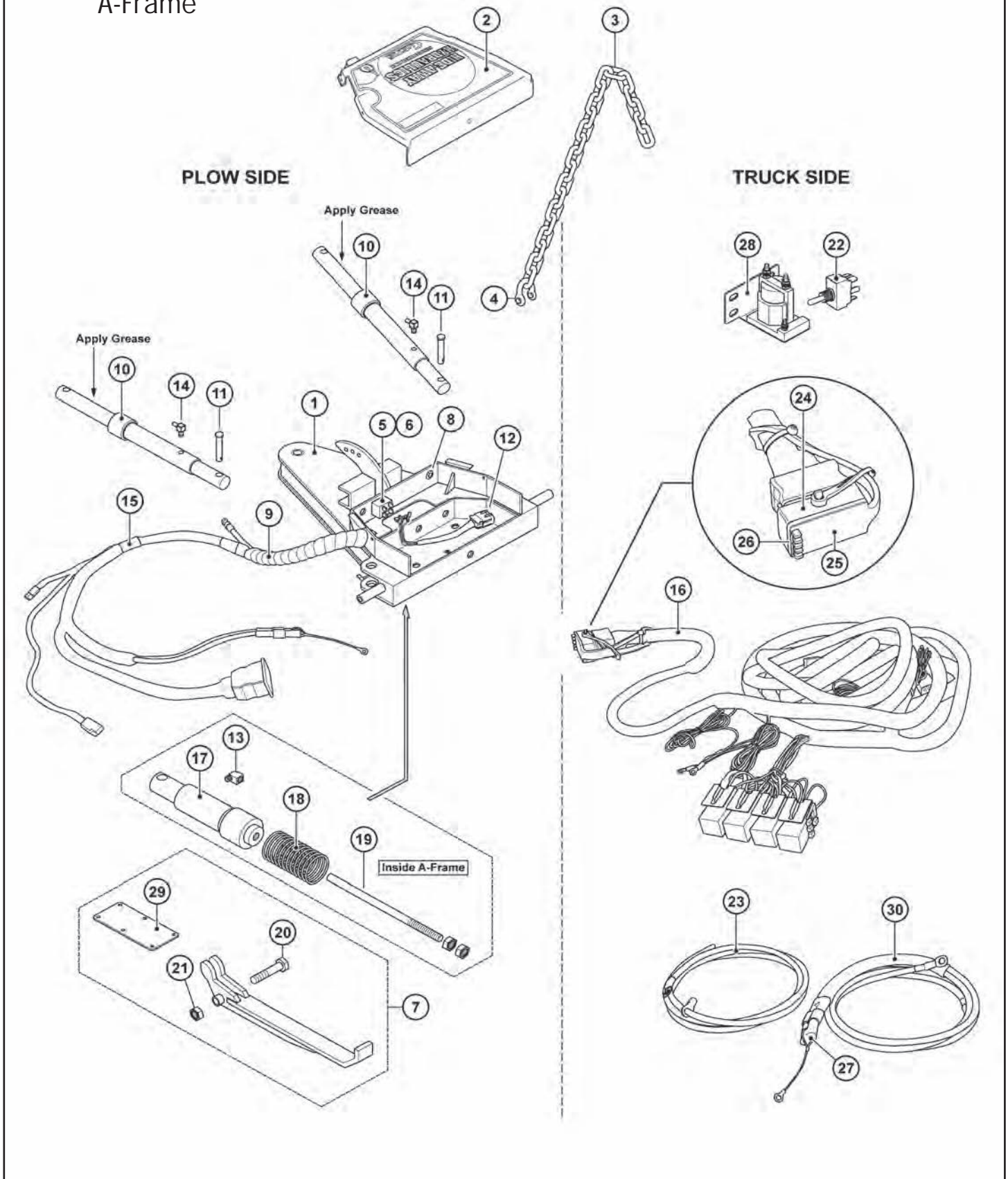
REF NUMBER	ITEM NUMBER	ITEM DESCRIPTION	QTY
1	1TBP21A1	7-1/2' MOLDBOARD KIT -PHASE II	1
2	1TBP21B1	8' MOLDBOARD KIT - PHASE II	1
3	1TBP21J1	8-1/2' MOLDBOARD KIT -PHASE II	1
4	1TBP21C1	9' MOLDBOARD KIT - PHASE II	1
5	1TBP37	BLADE MARKER KIT (SET OF 2)	1
6	1TBP49A	7-1/2' CUTTING EDGE	1
7	1TBP49B	8' CUTTING EDGE	1
8	1TBP49J	8-1/2' CUTTING EDGE	1
9	1TBP49C	9' CUTTING EDGE	1
10	1TBP50	SKID SHOE (CAST DUCTILE IRON)	1
11	1TBP133L	MOLDBOARD SPRING MOUNT-DRIVER'S SIDE	2
12	1TBP133R	MOLDBOARD SPRING MOUNT-PASSENGER'S SIDE	2
13	1TBP33	TRIP SPRING	4
14	1TBP23	1" X 4" CLEVIS PIN	6
15	1TBP34	SPRING EYEBOLT 5/8"-11 X 7"	4
16	1TBP22B1	TRIP FRAME ASSEMBLY (TRUCK PLOW) SNO-PRO 3000 PHASE II	1

### ORDERABLE AS KITS - NOT SEPARATELY

11,12	8SV-TBP133LR-B5	MOLDBOARD SPRING MOUNT KIT (INCLUDES 2 BLACK L&R BRACKETS)	1
-------	-----------------	--	---

# Sno-Pro 3000

A-Frame



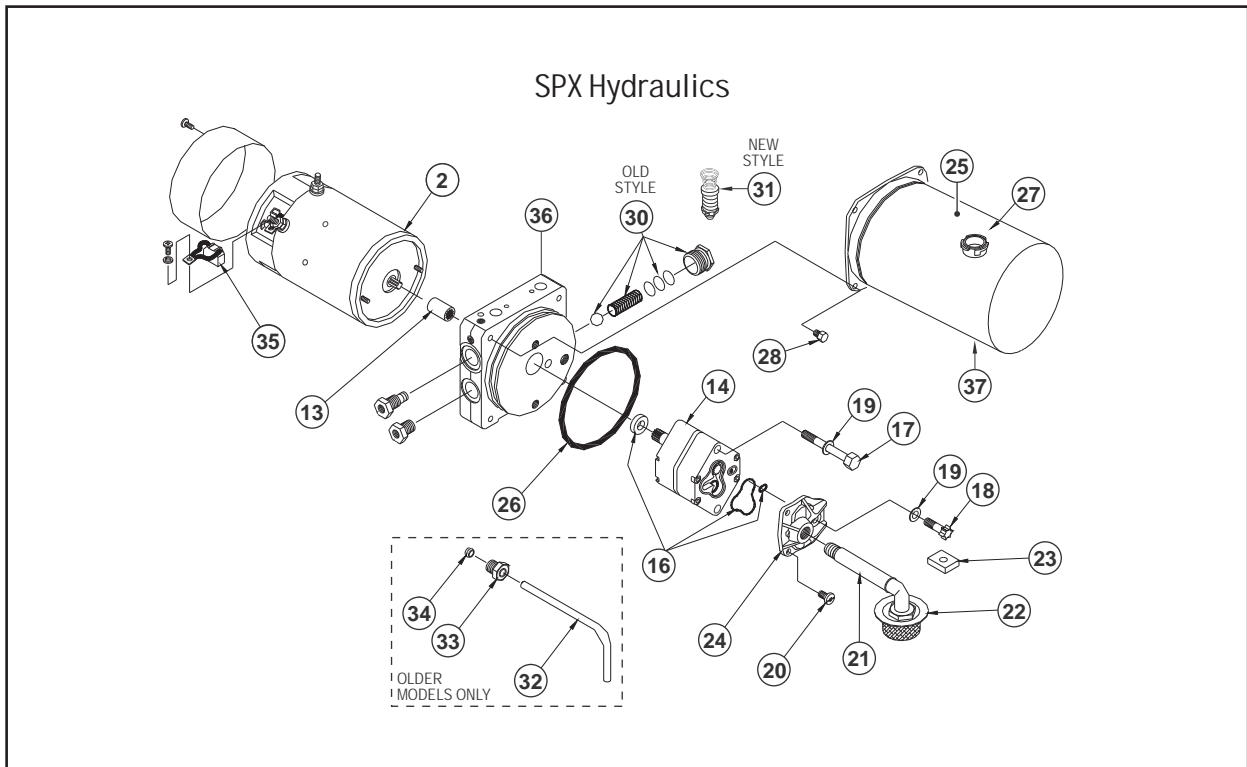
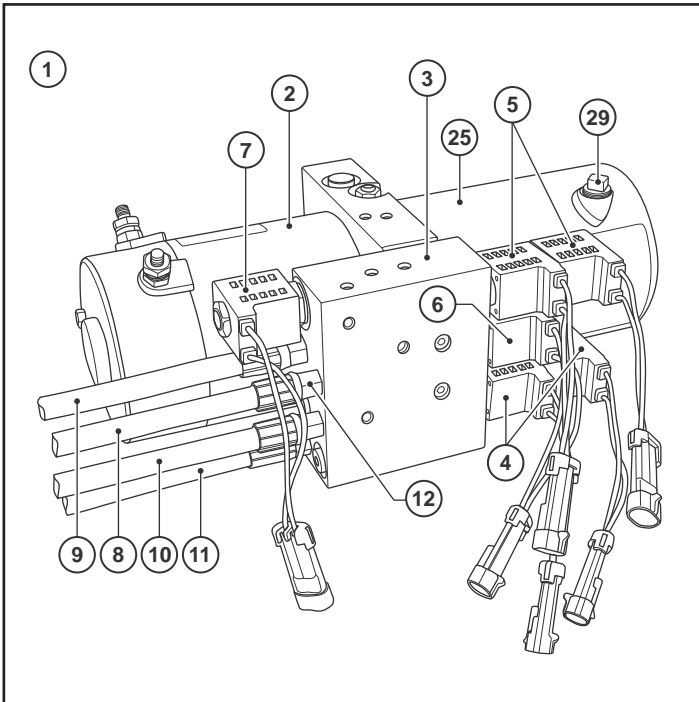
# Sno-Pro 3000

## A-Frame

REF NUMBER	ITEM NUMBER	ITEM DESCRIPTION	QTY
	1TBP29C	A-FRAME ASSEMBLY - COMPLETE FOR SNO PRO 3000	1
1	8SV-NAFW-B5	A-FRAME ASSEMBLY - FRAME ONLY SNO-PRO 3000 (BLACK)	1
2	1TBP58A	A-FRAME COVER, SnoPro 3000	1
3	1TBP30	5/16" X 24" CHAIN	1
4	1TBP31	5/16" ANCHOR SHACKLE	2
5	1TBP100	A-FRAME JACK SWITCH	1
6	1TBP100A	TOGGLE SWITCH BOOT	1
7	1TBP106	JACK LEG	1
8	1TBP128	A-FRAME HOSE GROMMET .625 ID X 1.125 OD X .50 THICK	3
9	1TBP129	HARNESS (SPIRAL) WRAP, CUT @ 16" LENGTH	1
10	1TBP27	10" ANGLE PISTON	2
11	1TBP73	1" X 3" CLEVIS PIN	2
12	1UHJA	JACK ADAPTER 3000 SERIES (HYDRAULIC JACK ONLY)	1
13	1TBP98F	90 DEG. BRASS BAR STREET ELBOW	1
14	1TBP98G	90 DEGREE ELBOW	2
15	1UHP	UNIVERSAL HARNESS-PLOW SIDE	1
16	1UHT	UNIVERSAL HARNESS-TRUCK SIDE	1
17	1TBP95	3" JACK CYLINDER	1
18	1TBP96	6" JACK SPRING	1
19	1TBP111	JACK SPRING GUIDE ROD	1
22	1TBP48A	LIGHT SWITCH FOR TRUCK PLOW	1
23	1TBP62	#4 CABLE 90"	1
24	1TBP136	VEHICLE SIDE CONTROL WEATHER CAP	1
25	1TBP140	LOCK PIN STORAGE HOLDER & LANYARD	1
26	1TBP141	HARNESS LOCK PIN (SET OF 5)	1
27	1TBP54	HI-AMP WEATHER CAP	1
28	1TBP61A	12V MOTOR SOLENOID	1
29	1TBP117	A-FRAME BOTTOM JACK COVER	1
29	8SV-TBP117-B5	A-FRAME BOTTOM JACK COVER (BLACK)	1
30	1TBP53	HI-AMP BATTERY HARNESS	1

# Sno-Pro 3000

Poly and Steel



# Sno-Pro 3000

## Hydraulics

REF NUMBER	ITEM NUMBER	ITEM DESCRIPTION	QTY
1	1TBP59APC	HYDRAULIC POWER UNIT COMPLETE W/MANIFOLD, VALVES & COILS	1
2	1TBM8	DC MOTOR 12V - DUAL POST	1
	1TBP59AP1	HYDRAULIC PUMP ASSEMBLY W/O MANIFOLD, SNO-PRO	
3	1TBP59AP2	MANIFOLD BLOCK ASSEMBLY W/VALVES & COILS, SNO PRO	1
4	1TBM201	3P3W TANDEM CENTER ANGLE VALVE W/10 VOLT COIL KIT	1
5	1TBM202	3P3W OPEN CENTER LIFT/JACK VALVE W/10 VOLT COIL KIT	1
6	1TBM203	2P2W NC ZERO LEAK JACK RETRACT VALVE W/10 VOLT COIL KIT	1
7	1TBM204	2P2W NC ZERO LEAK FLOAT VALVE W/12 VOLT COIL KIT	1
8	1TBP98A	JACK HOSE - 26-1/2"	1
9	1TBP98B	LIFT HOSE - 37.5"	1
10	1TBP98C	RIGHT ANGLE HOSE - 19"	1
11	1TBP98D	LEFT ANGLE HOSE - 28"	1
12	1TBP98E	BLOCK ADAPTER FOR JACK HOSE	1

### SPX HYDRAULICS

13	1TBM12	PUMP TO MOTOR COUPLING SPX	1
14	1TBM13	PUMP ASSEMBLY - SPX	1
16	1TBM14	PUMP O-RING KIT	1
17	1TBM16	PUMP MOUNTING BOLT	2
19	1TBM15	WASHER FLAT	1
18	1TBM17	BOLT - SUCTION COVER 5/16"	1
20	1TBM18	SCREW TAPTITE M6 x 12mm	1
21	1TBM19	PLUMBING ASSEMBLY INLET	1
22	1TBM20	FILTER	1
23	1TBM21	COLLECTOR MAGNET	1
24	1TBM29	SUCTION COVER	1
25	9SV-RES	HYDRAULIC POWER UNIT RESERVOIR KIT	1
26	1TBM11	SPX RESERVOIR O-RING	1
27	1TBP63B	RESERVOIR CAP - SNO-PRO 3000 INTERNAL (3/8" BRONZE)	1
28	1TBM22	RESERVOIR SCREW (Set of 4)	1
29	1TBP63A	RESERVOIR CAP - SNO-PRO 3000 EXTERNAL	1
30	1TBM25	FIXED RELIEF VALVE ASSEMBLY - (SPX - USE 1TBM25A)	1
32	1TBM26	RETURN TUBE	1
33	1TBM27	COMPRESSION NUT	1
34	1TBM28	COMPRESSION SLEEVE	1
35	1TBM30	MOTOR BRUSH KIT	1
36	1TBM31	END HEAD	1
37	1TBM32	RESERVOIR DRAIN PLUG	1

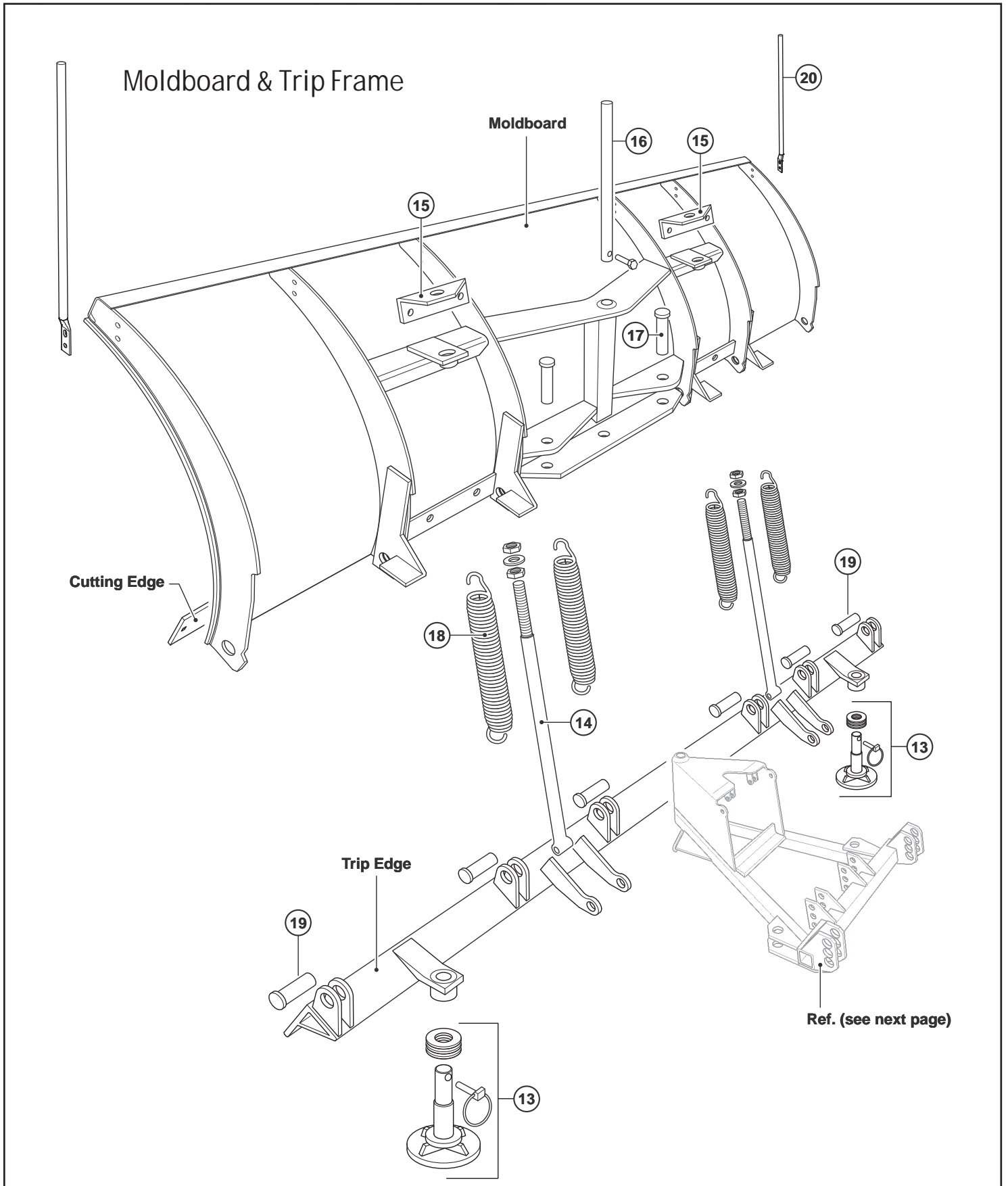
### ORDERABLE AS KITS - NOT SEPARATELY

18-24	9SV-FLT	HYDRAULIC PUMP FILTER KIT	1
25-28	9SV-RES	HYDRAULIC POWER UNIT RESERVOIR KIT	1



# Trip Edge 3000

## SERVICE PARTS ONLY



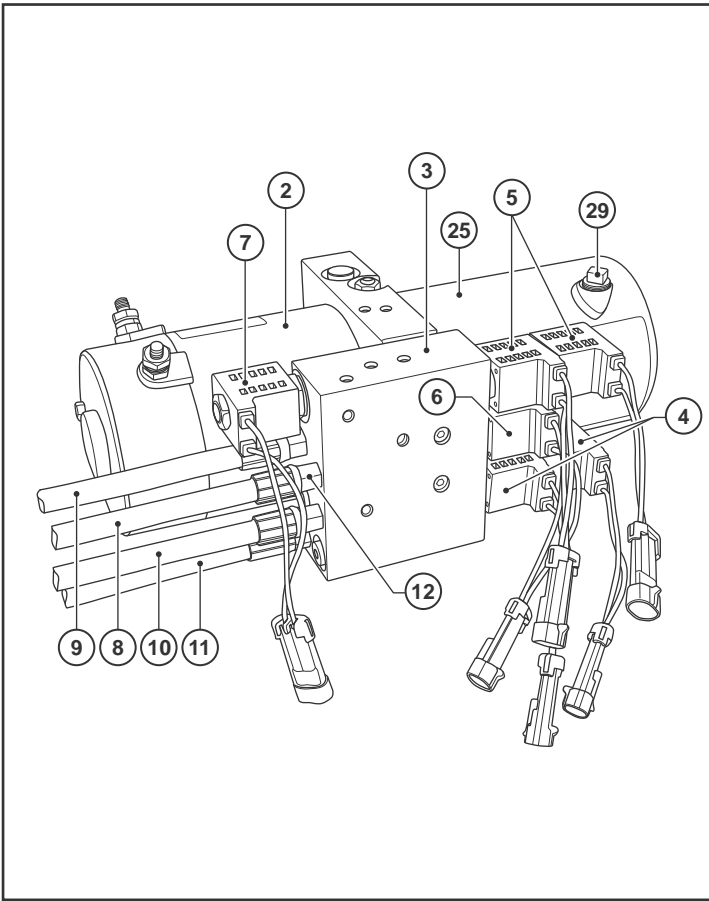
# Trip Edge 3000

## SERVICE PARTS ONLY

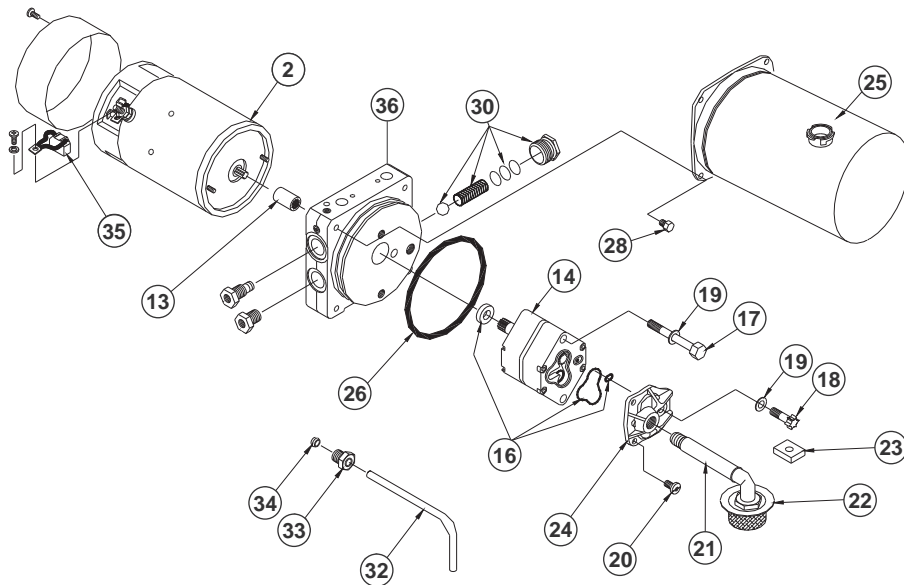
### Moldboard and Trip Frame

REF NUMBER	ITEM NUMBER	ITEM DESCRIPTION	QTY
1	1TBP21TA	7-1/2' MOLDBOARD - TRIP EDGE	1
2	1TBP21TB	8' MOLDBOARD - TRIP EDGE	1
3	1TBP21TJ	8-1/2' MOLDBOARD - TRIP EDGE	1
4	1TBP21TC	9' MOLDBOARD - TRIP EDGE	1
5	1TBP149A	7-1/2' LOWER TRIP EDGE	1
5	8SV-TBP149A-B5	7-1/2' LOWER TRIP EDGE	1
6	1TBP149B	8' LOWER TRIP EDGE	1
6	8SV-TBP149B-B5	7-1/2' LOWER TRIP EDGE (BLACK)	1
7	1TBP149C	9' LOWER TRIP EDGE	1
7	8SV-TBP149C-B5	9' LOWER TRIP EDGE (BLACK)	1
8	1TBP149J	8-1/2' LOWER TRIP EDGE	1
8	8SV-TBP149J-B5	8-1/2' LOWER TRIP EDGE (BLACK)	1
9	1TBP49A	7-1/2' CUTTING EDGE	1
10	1TBP49B	8' CUTTING EDGE	1
11	1TBP49J	8-1/2' CUTTING EDGE	1
12	1TBP49C	9' CUTTING EDGE	1
13	1TBP50T	SKID SHOE - TRIP EDGE ONLY	1
14	1TBP142	SPRING ADJUSTMENT ROD - TRIP EDGE- ZINC PLATED	2
14	8SV-TBP142	SPRING ADJUSTMENT ROD - TRIP EDGE- ZINC PLATED -SET OF 2	1
15	1TBP143	SPRING ADJUSTMENT ROD TOP ANGLE - TRIP EDGE	2
15	8SV-TBP143	SPRING ADJUSTMENT ROD TOP ANGLE - TRIP EDGE-SET OF2	1
16	1TBP144	1-3/16" X 15-1/8" CENTER PIVOT PIN - TRIP EDGE	1
17	1TBP145	1" X 3-1/2" CLEVIS PIN	4
18	1TBP33	TRIP SPRING	4
19	1VP14	1" x 2-1/2" CLEVIS PIN	1
20	1TBP37	BLADE MARKER KIT (SET OF 2)	1

# Trip Edge 3000



## SPX Hydraulics Cast Iron End Head



# Trip Edge 3000

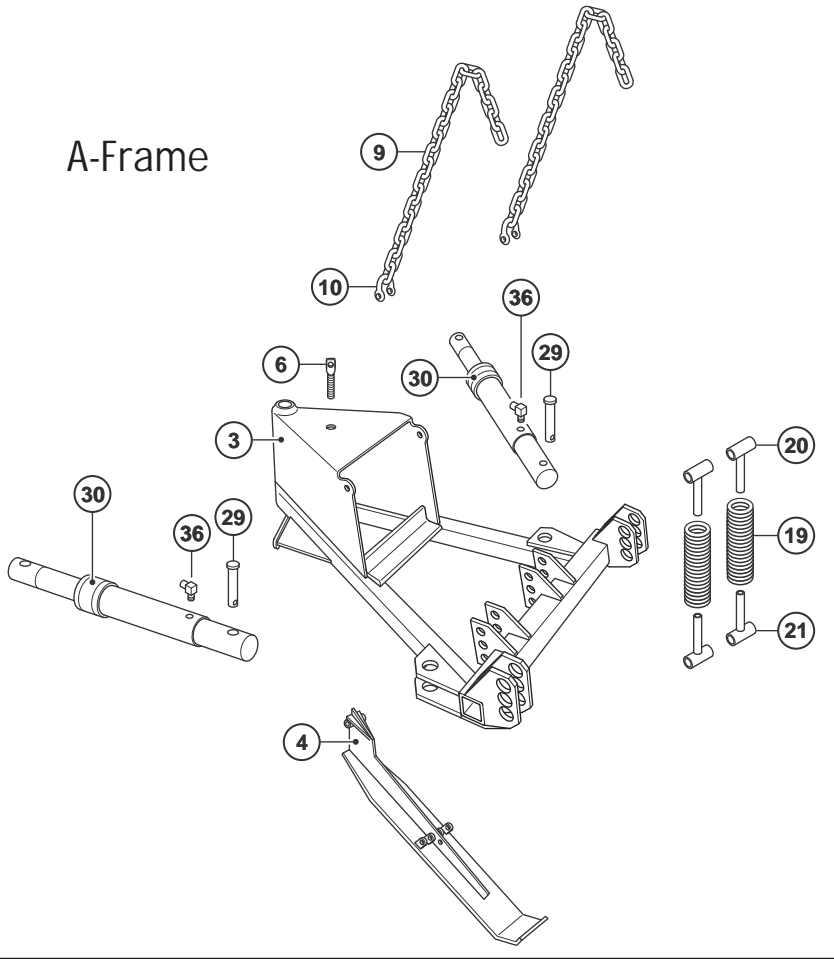
## Hydraulics

REF NUMBER	ITEM NUMBER	ITEM DESCRIPTION	QTY
1	1TBP59APC	HYDRAULIC POWER UNIT COMPLETE W/MANIFOLD, VALVES & COILS	1
2	1TBM8	DC MOTOR 12V - DUAL POST	1
3	1TBP59AP2	MANIFOLD BLOCK ASSEMBLY W/VALVES & COILS, SNO PRO	1
47	1TBP59AP1-A	TRIP EDGE PLOW PUMP/MANIFOLD ASSEMBLY WITH HOSES	1
4	1TBM201	3P3W TANDEM CENTER ANGLE VALVE W/10 VOLT COIL KIT	1
5	1TBM202	3P3W OPEN CENTER LIFT/JACK VALVE W/10 VOLT COIL KIT	1
6	1TBM203	2P2W NC ZERO LEAK JACK RETRACT VALVE W/10 VOLT COIL KIT	1
7	1TBM204	2P2W NC ZERO LEAK FLOAT VALVE W/12 VOLT COIL KIT	1
	1TBM2A	2-WAY SOLENOID VALVE-ZERO LEAK PLOW/FLOAT/JACK RETRACT-STERL.	1
8	1TBP98TE	JACK HOSE, 28" HYDRAULIC HOSE TRIP EDGE, 2 FEMALE ENDS	1
9	1TBP98C	RIGHT ANGLE HOSE - 19"	1
10	1TBP98I	RIGHT ANGLE HOSE - 35" TRIP EDGE	1
11	1TBP98J	LEFT ANGLE HOSE - 45" TRIP EDGE	1
12	1TBP98E	BLOCK ADAPTER FOR JACK HOSE	1
<b>SPX HYDRAULICS</b>			
13	1TBM12	PUMP TO MOTOR COUPLING SPX	1
14	1TBM13	PUMP ASSEMBLY - SPX	1
16	1TBM14	PUMP O-RING KIT	1
17	1TBM16	PUMP MOUNTING BOLT	2
19	1TBM15	WASHER FLAT	1
18	1TBM17	BOLT - SUCTION COVER 5/16"	1
20	1TBM18	SCREW TAPTITE M6 x 12mm	1
21	1TBM19	PLUMBING ASSEMBLY INLET	1
22	1TBM20	FILTER	1
23	1TBM21	COLLECTOR MAGNET	1
24	1TBM29	SUCTION COVER	1
	9SV-FLT	HYDRAULIC PUMP FILTER KIT	1
25	9SV-RES	HYDRAULIC POWER UNIT RESERVOIR KIT	1
26	1TBM11	SPX RESERVOIR O-RING	1
	1TBP63B	RESERVOIR CAP - SNO-PRO 3000 INTERNAL (3/8" BRONZE)	1
28	1TBM22	RESERVOIR SCREW (Set of 4)	1
	9SV-RES	HYDRAULIC POWER UNIT-RESERVOIR KIT	1
29	1TBP63A	RESERVOIR CAP - SNO-PRO 3000 EXTERNAL	1
30	1TBM25	FIXED RELIEF VALVE ASSEMBLY - (SPX - USE 1TBM25A)	1
	1TBM25A	FIXED RELIEF VALVE - CARTRIDGE STYLE	1
32	1TBM26	RETURN TUBE	1
33	1TBM27	COMPRESSION NUT	1
34	1TBM28	COMPRESSION SLEEVE	1
35	1TBM30	MOTOR BRUSH KIT	1
36	1TBM31	END HEAD	1
	1TBM32	RESERVOIR DRAIN PLUG	1

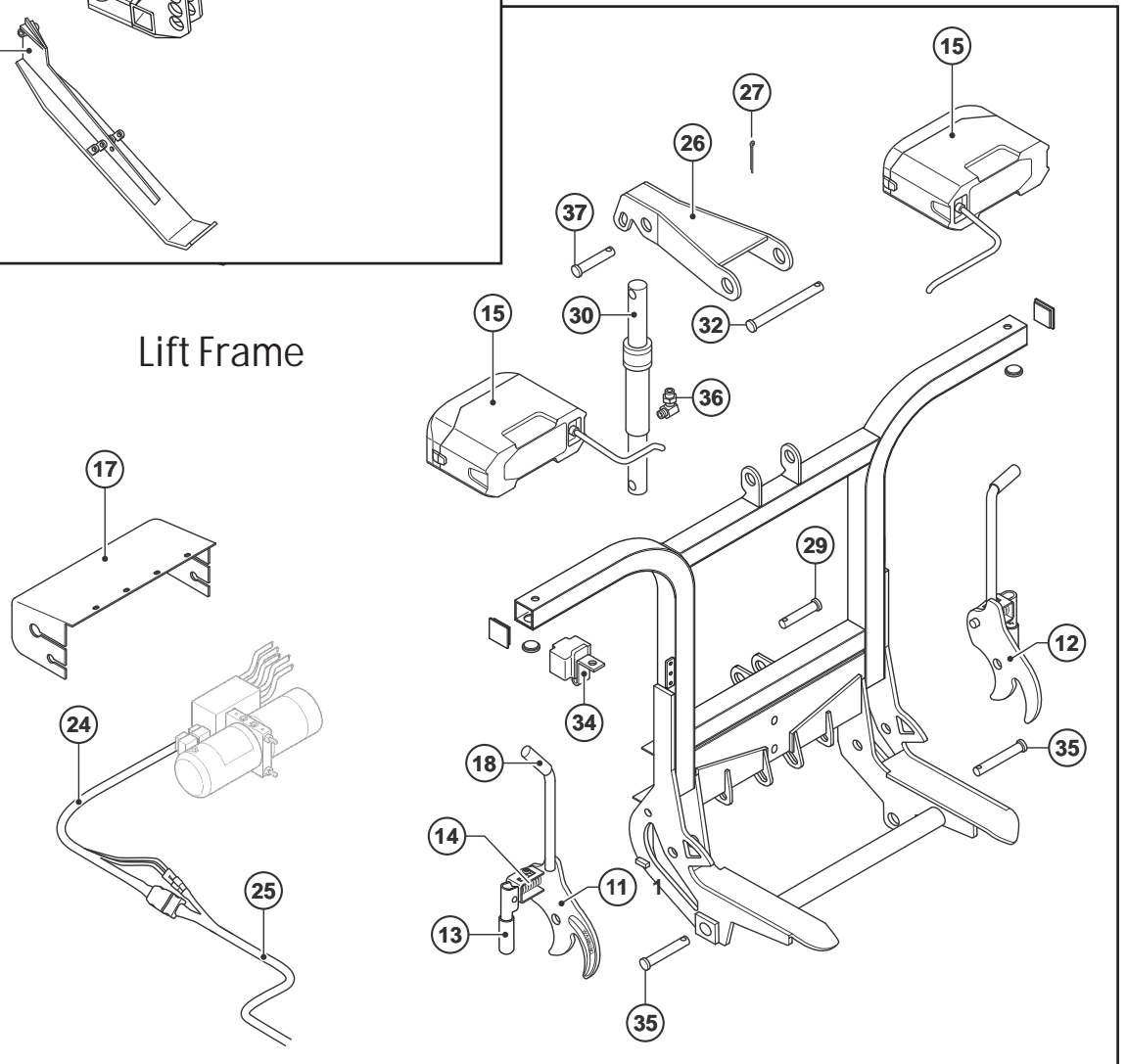
# Trip Edge 3000

**SERVICE PARTS ONLY**

A-Frame



Lift Frame



# Trip Edge 3000

## SERVICE PARTS ONLY

### A-Frame & Lift Frame

REF NUMBER	ITEM NUMBER	ITEM DESCRIPTION	QTY
1	1TBP29T	A-FRAME ONLY - TRIP EDGE	1
3	8SV-TEAF-B5	A-FRAME-SHELL ONLY (BLACK)	1
4	1TBP106T	JACK LEG - TRIP EDGE	1
	KAF25-039SP	PLOW TRIP SPRINGS FOR UTILITY VEHICLE SNOWPLOW	1
6	V4208-22	3/8-16 X 2-1/2" EYE BOLT FOR UTILITY VEHICLE SNOWPLOW	1
	1TBP104	1" X 6" HYDRAULIC SA CYLINDER TRIP EDGE	1
	1TBP98G	90 DEGREE ELBOW	1
9	1TBP30	5/16" X 24" CHAIN	2
10	1TBP31	5/16" ANCHOR SHACKLE	4
2	1TBP38T	LIFT FRAME - TRIP EDGE	1
11	1TBP114	DRIVER'S SIDE LATCH HOOK	1
11	8SV-TBP114-B5	DRIVER'S SIDE LATCH HOOK - (BLACK)	1
12	1TBP115	PASSENGER'S SIDE LATCH HOOK	1
12	8SV-TBP115-B5	PASSENGER'S SIDE LATCH HOOK - (BLACK)	1
13	1TBP107	SNAP LOCK HANDLE	1
14	1TBP33B	SNAP LOCK SPRING	2
18	1TBP97	PLASTIC HANDLE COVER, 1.00 -4"WITH PRINTING FOR SNO-PRO 3000	1
	9SV-SLH	SNAP LOCK HANDLE KIT	1
15	1TBP39H	PLOW LIGHT KIT, DUAL HALOGEN LAMPS W/SWITCH KIT	1
17	1TBP58B	HYDRAULIC COVER - TRIP EDGE ORANGE POLYETHYLENE	1
19	1TBP149	2" X 7" COMPRESSION SPRING TRIP EDGE	2
20	1TBP152	UPPER SPRING GUIDE - TRIP EDGE	2
21	1TBP153	LOWER SPRING GUIDE - TRIP EDGE	2
	1TBP12J	LAMP HARNESS 12" JUMPER	2
	1UHJA	JACK ADAPTER 3000 SERIES (HYDRAULIC JACK ONLY)	1
24	1UHP	UNIVERSAL HARNESS-PLOW SIDE	1
25	1UHT	UNIVERSAL HARNESS-TRUCK SIDE	1
26	1TBP40V	LIFT ARM - V-PLOW & TRIP EDGE	1
27	1TBP24	3/16" X 2" COTTER PIN	7
	1TBP61A	12V MOTOR SOLENOID	1
	1TEP/S-HWK	HARDWARE BAG - TRIP EDGE POLY/STEEL HDWR KIT 4 SHACKLE	1
29	1TBP73	1" X 3" CLEVIS PIN	3
30	1TBP27	10" ANGLE PISTON - 1-1/2" X10" STROKE SINGLE ACT HYD CYL	3
	1TBP158	HOSE EXTENSION SPRING	1
32	1TBP92	1" X 6" CLEVIS PIN	1
34	1FKP2	PLUG MOUNT BRACKET FOR THE TWO PIECE BRACKET	2
35	1TBP145	1" X 3-1/2" CLEVIS PIN	4
36	1TBP98H	45 DEGREE ELBOW FOR LIFT PISTON	3
37	1VP14	1" X 2-1/2" CLEVIS PIN	1



# WARNINGS

Do not attempt to attach or operate this snowplow until you read and understand all warnings and instructions in the Owner's Manual and on the plow. Failure to read and follow all warnings and instructions may lead to serious injury or death.

## DANGER

Never transport plow with Snap Lock Handles in horizontal (extended) position. Plow separation may occur causing serious injury or death.

## WARNING

- **ALWAYS** verify plow is mounted securely. NEVER transport plow without fully engaging Latch Hooks, Snap Lock Hitches and Locking Pins. Improper mounting may result in plow separation from vehicle.
- **ALWAYS** verify full engagement of Latch Hooks, Snap Lock Hitches and Locking Pins by independently using Driver's side and Passenger's side Assist Levers.
- **ALWAYS** regularly inspect and maintain all components of the snow plow.
- **ALWAYS** travel at reduced speeds when blade is attached.
  - **DO NOT** exceed 45mph while transporting plow
  - **DO NOT** operate plow while transporting.
- **ALWAYS** familiarize yourself with the area to be plowed.
  - **DO NOT** exceed 10mph when plowing snow
  - **DO NOT** exceed 5mph if obstructions could be encountered while plowing
- **ALWAYS** lower plow blade to ground and fully retracted "V" position (if applicable) when vehicle is parked.
- **DO NOT** position any part of your body under the plow blade at any time
- **DO NOT** use any part of your body when dislodging an obstruction from the plow assembly.
- **DO NOT** service plow in tripped condition. Dangerous release of stored energy may result.
- **DO NOT** service V-plow in any position except fully retracted "V" position. Dangerous release of stored energy may result.
- **DO NOT** disable, remove or relocate any components related to the Air Bag System of the vehicle.
- **DO NOT** leave children unattended in vehicle as they may accidentally activate plow.
- **DO NOT** plow snow or transport snowplow with more than 1 passenger (in addition to driver) in the vehicle.
- **DO NOT** operate plow with anyone in close proximity to vehicle or plow.

## CAUTION

### SPECIFIC VEHICLE REQUIREMENTS

The following vehicle requirements must be acknowledged and met prior to installing a Sno-Pro snowplow system on any vehicle. DO NOT install a Sno-Pro snowplow system on any vehicle that does not meet these specified requirements.

- The Sno-Pro 3000 Hitch-N-Run snowplow system is designed for heavy duty commercial snowplowing applications. Vehicles equipped with this system must also be equipped with the vehicle manufacturer's snowplow preparation package.
- The Home-Pro 3000 Hitch-N-Run snowplow system is designed for non-commercial, light-duty, personal snowplowing applications. Vehicles equipped with this system must also be equipped with the maximum front Gross Axle Weight Rating (GAWR). The Home-Pro 3000 snowplow system is NOT intended for any commercial plowing applications of any kind.
- The vehicle, when loaded, should not exceed the Gross Vehicle Weight Rating (GVWR) or Gross Axle Weight Rating (GAWR) for front or rear axles. This includes the vehicle, all aftermarket accessories, all snowplow system components, ballast, passengers and cargo.
- The vehicle, when empty, with all permanently attached accessories and snowplow components, must not exceed 62% of its weight on the front axle to comply with FMVSS 105 Brake Certification.
- If the front axle loading exceeds either 62% of the empty vehicle or the front GAWR, ballast weight must be permanently fixed to the rear of the vehicle behind the rear axle to bring the front axle within specifications.
- Curtis Industries, LLC reserves the right to change product design or specifications without notice or liability.

# Sno-Pro Warranty Claim Process

## Requirements to Qualify for Warranty:

- Defective condition must be identified within the warranty periods, specified below.
- Distributor must provide manufacturing serial code as proof of sale.
- Claims must be submitted within 60 days of the defective condition / notification.
  - Must provide monthly claim reports (Excel) to Curtis Industries, LLC in a timely manner.

## Warranty period:

- Structural Steel - Three (3) Years
- Plow Package components- Two(2) Years

Curtis Industries, LLC warranties Accessories, Service Parts, and Components purchased separately, for a period of one (1) year after the original sale to be free from defects in material and workmanship.

## Warranty Limitations:

- Hydraulic and Electrical components will be covered under a limited warranty for a period of 2 year.
- Paint will be warranted for a period of one (1) year.

## What is not Covered:

- Diagnostics of the potential failure
- Travel time incurred to and from dealers or suppliers
- Problems caused by failure to follow product instructions, failure to maintain the product as described in the owner's manual.
- Problems caused by contamination or restriction of lubricant systems, or damage resulting from rust, corrosion, freezing, or overheating
- Expendable Snowplow parts- Pins, Runners, Cutting edges, Skid shoes, Chrome plating, Springs, hoses, and Markers, etc.
- Damage to any vehicle that the Snowplow was not intended to be mounted to
- Problems caused by accessories and parts that are not supplied by Curtis Industries.
- Cost of tax, freight to/from the individual dealers, storage charges, environmental charges, solvents, sealants, lubricants, or any other normal shop supplies.
- Damaged caused by parts used not intended for the original purpose.

## Completing the Warranty Repairs and The Warranty Claim Process (see Excel Warranty Spreadsheet)

1. Complete all Customer / Equipment Information. Curtis Industries, LLC will complete all yellow highlighted columns.
2. Diagnose problem, determine corrective action to be taken and document:
  - a. Failure mode
  - b. Cause
  - c. Corrective Action
  - d. Parts needed for replacement (Part numbers)
3. Parts to be submitted for warranty consideration: Parts required to complete the repair must come from distributor inventory.
  - a. If parts are needed to complete the repair, order them with the normal ordering process. Parts will be shipped and charged to your account with a credit issued when the claim is approved.
  - b. Parts not available from Distributor inventory and require Curtis Industries to Drop Ship directly to a Customer will result in Freight charges to be billed to the Distributor.
4. Locate Labor allowances, and identify any labor to be submitted for warranty consideration. (See attachments 2 - 4).
  - a. Identify repair codes - See Flat Rate Schedule and allowances.
  - b. If repairs are not listed in the Flat Rate Schedule, contact Curtis at 508-853-2200 for approval prior to making repairs. (Warranty Department)

5. Parts replaced for the repair must be kept at the distributor location for a period of 90 days, identified by the equipment serial numbers.
  - a. All Hydraulic Pumps, Cylinders, and Electronic parts, etc. must be returned to Curtis Industries, LLC for warranty credits, an RMA will be issued on a monthly basis.
  - b. All non-conforming sheet metal; welded parts will require pictures of the defect.
6. Curtis may, within a 90 day period, request any and all parts be returned for examination before approval of the warranty claim. If Curtis requests parts be returned, an RMA will be issued. Failure to return requested parts within 30 days, the warranty claim will be denied.
7. Parts returned should be returned transportation Freight Collect. Do not return parts unless requested to do so by Curtis.

Once the repairs have been completed, review the Claim Form (Excel file) for accuracy and completeness and email to the Manager of Quality. **Missing or inaccurate information will delay the processing and crediting of your account for parts and labor.**

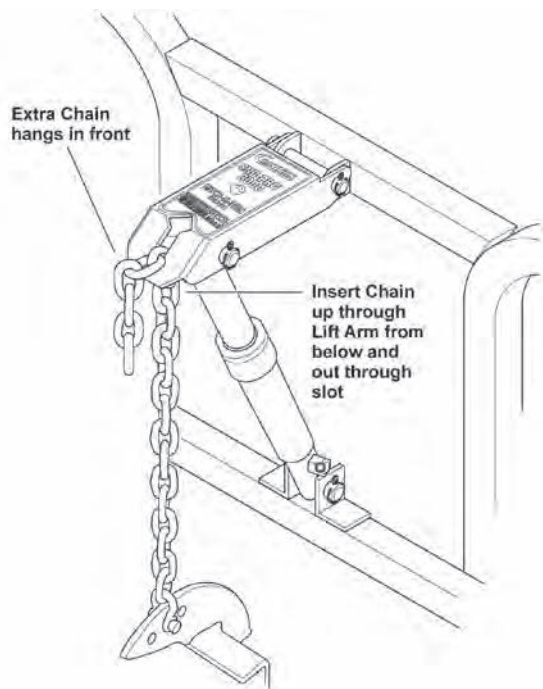
**Addendum Warranty to Plow Packages sold prior to 09/09/09**

1. Customers who purchased Plow packages prior to 09/09/09, are covered by warranty directly through Curtis Industries, LLC and all customer inquiries should be forwarded to Curtis customer service at 508-853-2200.
2. Effective 09/09/10, all Dealer and Customer requests for warranty will be managed through the distributors.

# Bulletins

## PROPER CHAIN ROUTING THROUGH LIFT ARM

This bulletin will serve as notice on an update to both the Sno-Pro™ 3000 Series & Home Pro Series Assembly Instructions. Below are two diagrams pulled directly from the assembly manual showing proper routing of the lift chain through the lift arm. As shown in the diagrams the chain should be properly routed up through the bottom of the lift arm with remaining chain slack resting towards the front of the lift arm. Improper routing may cause lift arm wear or damage. Please update any appropriate personnel on this Service Bulletin.



Section 9. X Height Procedure (Pg 24)

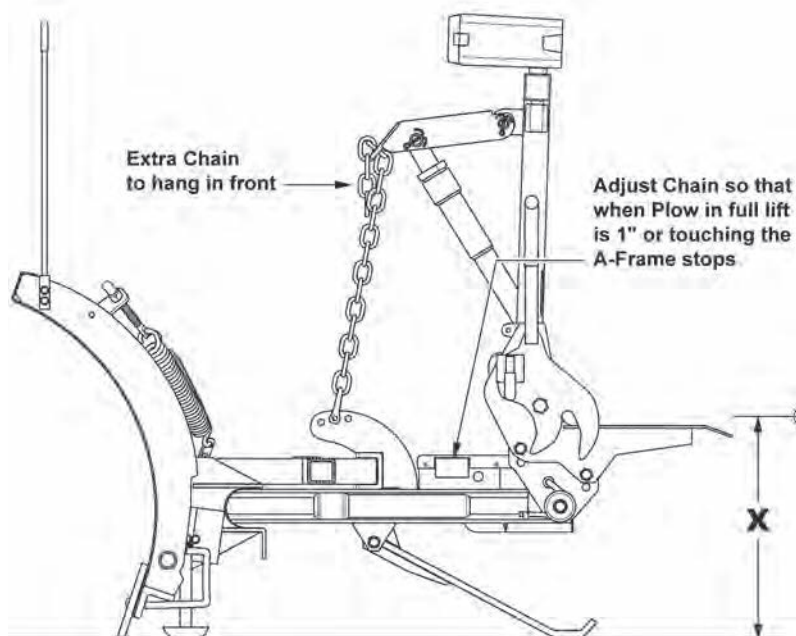


Figure 14. Lift Arm Mounting (Pg 20)

### **SnowPlow Upfit Restriction 2011-2012 F-150 SnowPlow Upfit Restriction (All 2011 and 2012 F-150 vehicles)**

As noted in the Ford SVE Service Bulletin below, the 2011 and 2012 F-150 series is currently restricted from having a snowplow system installed. Curtis Industries, LLC (Sno-Pro™) will keep you updated on any changes/variations from this notice. "Snowplow Prep Package is no longer an available option on F-150 starting with the 2011 and 2012 model years. F-150 vehicles with 5.0L and 3.7L engines have an Electric Power Assisted Steering (EPAS). EPAS places high transient loads on the electric power system which was designed and sized to handle this requirement. Charging system performance may be affected if snowplow equipment is installed on a vehicle with EPAS, resulting in temporary function loss of some electrical features. F-150 vehicles with a 6.2L engine are only available in Crew Cab body configuration. Previous model year F-150 Snowplow Prep Package required Heavy Duty Payload Package and associated content, and is restricted from Crew Cab."

As always should you have any questions please contact our Technical Support Department at 508-853-2200.



Curtis Industries, LLC.  
111 Higgins Street • Worcester, MA 01606  
Telephone: (508) 853-2200 • Fax: (800) 876-9104  
[www.snoplows.com](http://www.snoplows.com)