



111 HIGGINS STREET • WORCESTER, MA 01606
TELEPHONE: 508-853-2200 • FAX: 508-854-3377

FACTORY SALES & SERVICE BULLETIN

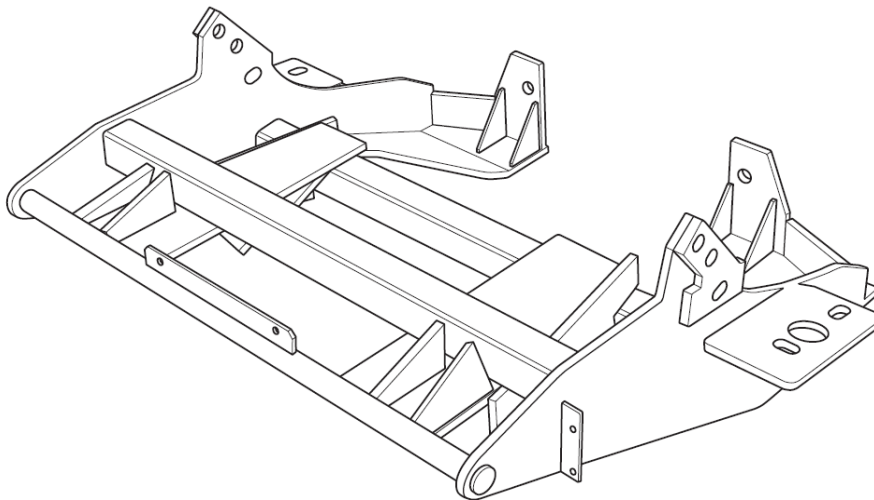
CATEGORY:	FORM #: 2010-1DB	
TRUCK SNOWPLOWS		
MODEL:		
1FK47		
SERIAL #:	DATE:	
N/A	12-2-2010	

SUBJECT:

NEW 1FK47 MOUNT KIT
NEW APPLICATION FOR 2011 CHEV/GMC 2500/3500 TRUCKS

Curtis is pleased to announce the release of the New 1FK47 Mount Kit for the 2011 Chevrolet/GMC 2500/3500 trucks. The new 2011 Chevrolet/GMC 2500/3500 trucks began production in mid-2010 and feature a new bumper/valance setup requiring a new mount kit.

The new 1FK47 works on both gas and diesel engine trucks and does require some cutting of the lower bumper valance. The headlight adapter kit for this truck is the (Curtis Part#) **1HL11**



1FK47 Shown

Installation Manual Available at: <http://snoproplows.com/sno-pro-frame-kits/>

***Note – The 1FK43 vehicle frame kit application will be updated to only cover the 2007-2010 Chevrolet/GMC 2500/3500 trucks.**

As always should you have any questions please contact our Technical Support Department at 800-343-7676.